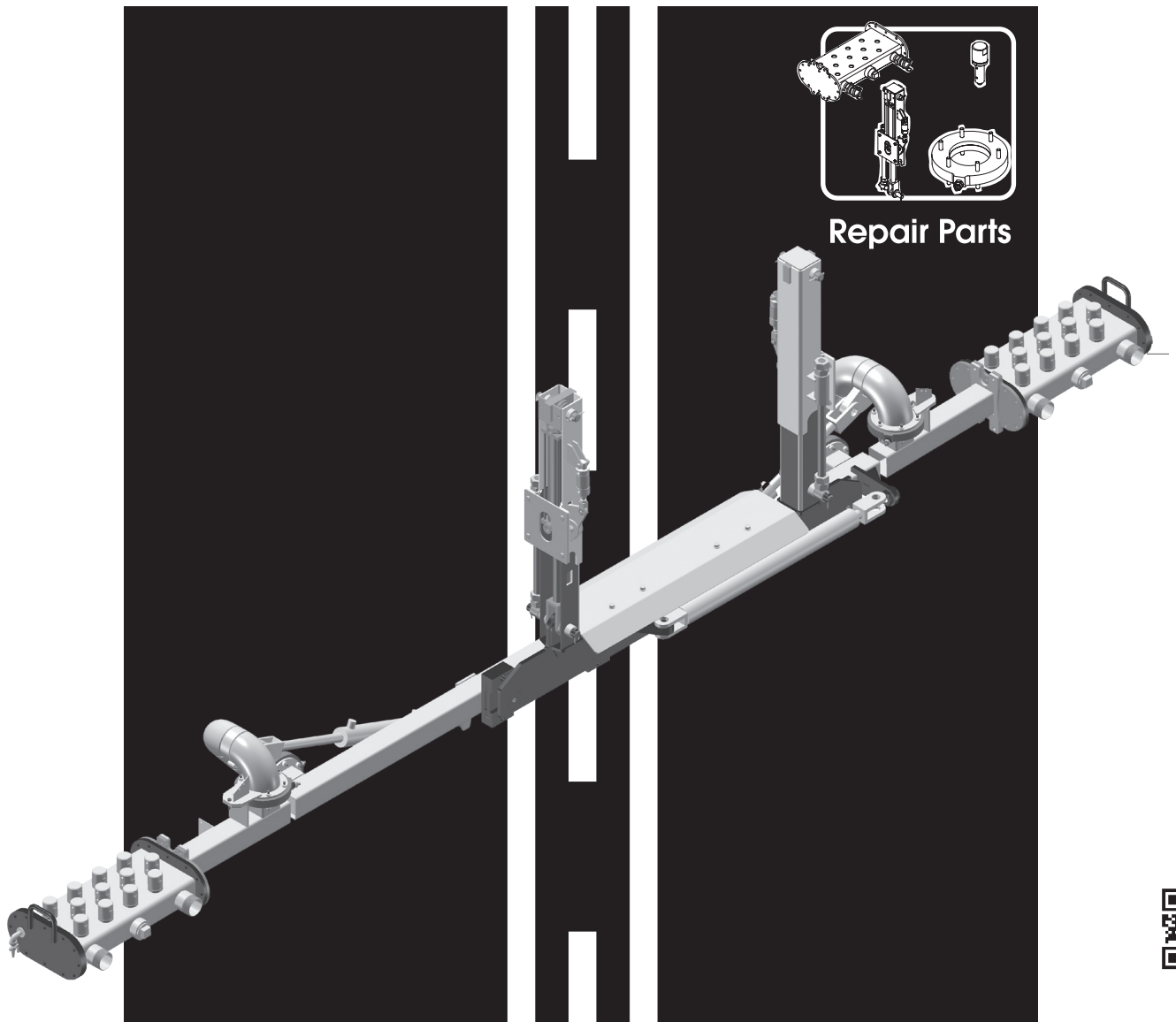


**M-101-LJS-20**  
Supplement to M-101-19



# Black-Topper® CENTENNIAL Asphalt Distributor

with BT 1 Controls &  
LJS Spraybar



E. D. ETNYRE & CO. 1333 S. Daysville Road, Oregon, Illinois 61061  
Phone: 815/732-2116 or 800/995-2116 • Fax: 800-521-1107 • [www.etnyre.com](http://www.etnyre.com)

**M-101-LJS-20**  
**Supplement to M-101-19**  
**Black-Topper® CENTENNIAL ASPHALT DISTRIBUTOR**  
**PARTS MANUAL**

**HOW TO ORDER PARTS**

To assure prompt delivery when ordering parts, please furnish the following information: 1) Complete name and address of consignee. 2) Method of shipment preferred. 3) Is shipment to be prepaid or collect? 4) Serial numbers of units to which parts apply. 5) Complete part numbers and descriptions. 6) Any special instructions.

***Specify unit serial number when ordering parts!***

**PARTS WARRANTY**

E. D. Etnyre & Co. warrants to the original Purchaser, its replacement parts to be free from defects in material and workmanship for a period of twelve (12) months after date of delivery to original Purchaser.

The following are exceptions to this policy:

- (1) All new electronic components are warranted for a period of 60 days. This is subject to vendor approval.
- (2) Remanufactured electronic components are warranted for a period of 30 days.
- (3) Remanufactured hydraulic components are warranted for a period of 60 days.
- (4) All non-Etnyre manufactured components are subject to the original warranty of the manufacturer.
- (5) New hydraulic components are warranted for the period of time set forth by the vendor of the individual item.

The obligation of the Company is limited to repairing or replacing any defective part returned to the Company and will not be responsible for consequential damages or any further loss by reason of such defect. Furthermore, the Etnyre Co. will not be responsible for any labor charges, freight charges, or transportation costs incurred by the purchaser if said part were to fail.

This warranty does not apply to:

- (1) Normal start-up services, normal maintenance services or adjustments usually performed by the selling dealer, factory service representative or customer personnel.
- (2) Any product manufactured by E. D. Etnyre & Co. purchased or subjected to rental use.
- (3) Any product or part thereof which shows improper operation, improper maintenance, abuse, neglect, damage or modification after shipment from factory.
- (4) Any product or part thereof damaged or lost in shipment. Inspection for damage should be made before acceptance or signing any delivery documents releasing responsibility of the delivering carrier.

This warranty and foregoing obligations are in lieu of all other obligations and liabilities including negligence and all warranties of merchantability or otherwise, express or implied in fact or by law.

The company excludes all implied warranties of merchantability and fitness for a particular purpose. There are no warranties, express or implied, which extend beyond the description of the goods contained in this contract.



E. D. ETNYRE & CO., Oregon, Illinois 61061-9778  
1333 South Daysville Road Phone: 800-995-2116 Fax: 800-521-1107  
www.etnyre.com sales@etnyre.com

## Reporting Safety Defects

If you believe that your vehicle has a defect which could cause a crash, injury, or death, you should immediately inform the National Highway Traffic Safety Administration (NHTSA) in addition to notifying E.D. Etnyre & Co.

If NHTSA receives similar complaints, it may open an investigation. If it finds a safety defect exists in a group of vehicles, it may order a recall and remedy campaign. However, NHTSA cannot become involved in individual problems between you, your dealer, or E.D. Etnyre & Co.

To contact NHTSA, you may call the Auto Safety Hotline toll-free at 1-800-424-9393 (or 366-0123 in the Washington, D.C. area). Or, you may write to: U.S. Department of Transportation, Washington, D.C. 20696. You may also obtain other information about motor vehicle safety from the Auto Safety Hotline.

E.D. Etnyre & Co., Oregon, Illinois 61061, Phone Area Code 815/732-2116.

This manual covers standard features and options. If your unit incorporates custom features, some of the information contained in this manual may not apply. If you have any questions regarding this manual or your unit, contact your dealer or the E. D. Etnyre Service Department at 1-800-995-2116



### WARNING

Unsafe operation of equipment may cause injury.  
Read, understand and follow the manuals  
when operating or performing maintenance.



### CAUTION

Before breaking the seal on all hydraulic fittings, plugs, fill caps, etc. be sure to clean around the connection. Failure to do so may cause contaminants to enter the hydraulic system causing damage to pumps, motors, etc.

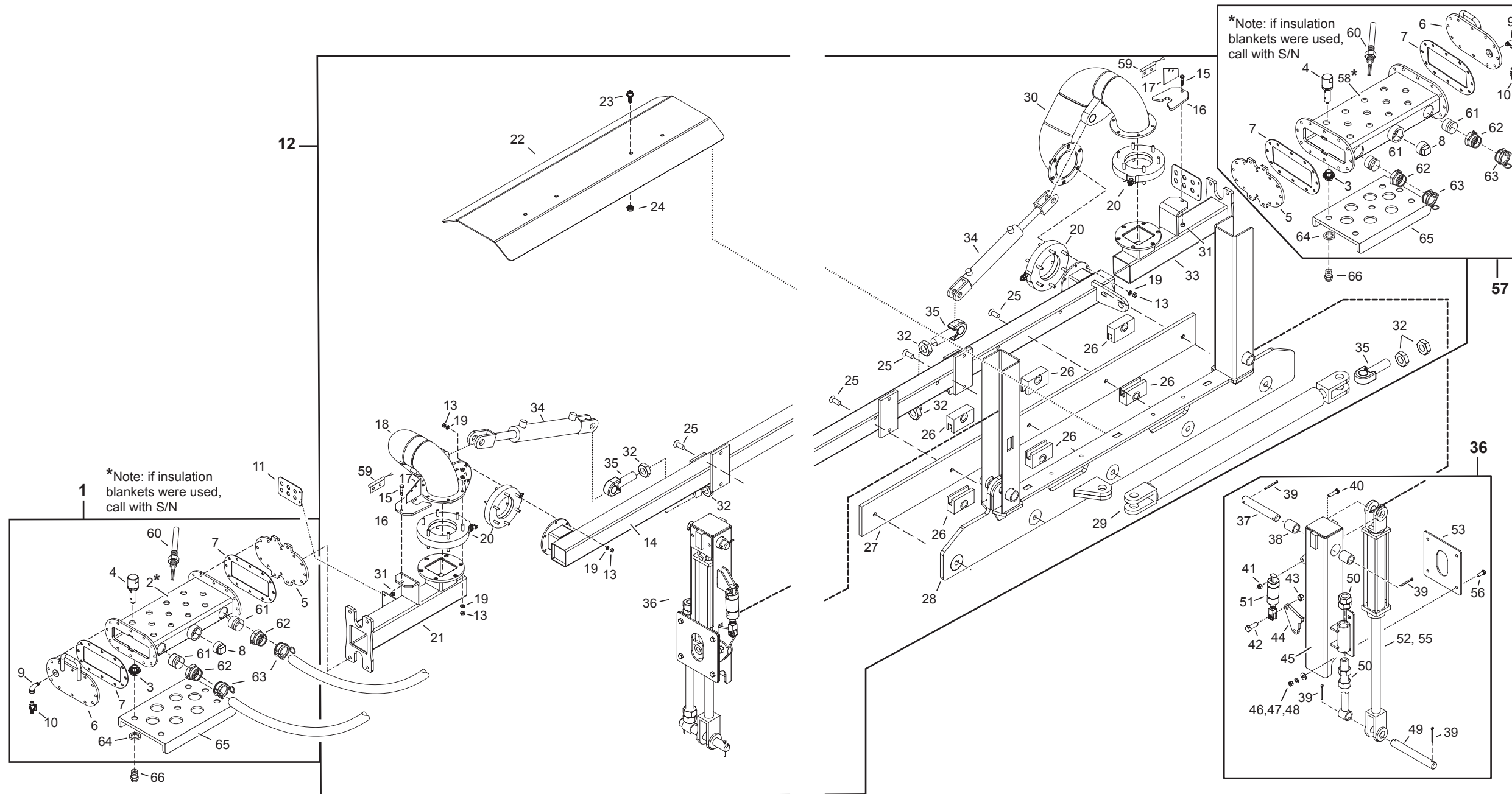


**WARNING:** This product can expose you to chemicals including Lead, which is known to the State of California to cause cancer, birth defects or other reproductive harm. For more information, go to: [www.P65Warnings.ca.gov](http://www.P65Warnings.ca.gov)

6322159

# Table Of Contents

HOW TO ORDER PARTS .....	1
PARTS WARRANTY .....	1
Reporting Safety Defects.....	2
LJS Spraybar.....	4 & 5
SprayNozzleChart .....	6
Numerical Index .....	7



REF	PART NO.	QTY	DESCRIPTION	REF	PART NO.	QTY	DESCRIPTION	REF	PART NO.	QTY	DESCRIPTION	REF	PART NO.	QTY	DESCRIPTION
1	3355372	1	Spraybar-18" LJS, Bolt On, LH (Includes Ref 2-10, 60-63)	17	3361258	2	Bracket-Mercury Switch	36	3354497	2	Bar Latch Assembly (Includes Ref 37-56)	54	3354501	1	Rod Adjust Weldment
2	3355373	1	Spraybar-18" LJS, LH	18	3355085	1	Hinge Asm-LH, No Inner Tube	37	3354500	1	Pin-Height Adjuster, VW	55	6602230	1	Cylinder-Hyd, 2.0" x 10", Wing Up
3	3353504	12	Spud-Valve, Spraybar w/ Seat	19	0120214	48	Washer-Lock, 0.31, Spring, PD	38	3354510	2	Support Tube	56	0180122	4	Capscrew-Gr5, 0.375"UNC x 1.0"
4	3354755	12	Valve Asm-Spray Valve, Stl/Nickel, 2 Piece Brass Rod	20	7230219	4	Swivel Asm-Hinge Sec Mod Bar	39	0103411	4	Pin-Cotter, 3/16" x 2.0"	57	3355366	1	Spraybar-18" LJS, Bolt On, RH (Includes Ref 3-10, 58, 60-63)
5	3355329	1	Flange-Cap, Spraybar, LJS	21	3355362	1	StubWing-Blank, Bolt On, LH, LJS	40	0180126	1	Capscrew-0.375"UNC x 1.5", Gr5	58	3355367	1	Spraybar-18" LJS, RH, Trpl Hea
6	3355370	1	Flange-Drain Side, Spraybar, LJS	22	3355365	1	Plate-Spill Guard, LJS	41	0274993	1	Nut-Hex, Lock, 0.375"NC, PD	59	6702533	2	Switch Asm-Mercury
7	3355102	2	Gasket-Spraybar, LJS	23	6100880-03	4	Bolt-Wiz, 0.375"UNC x 1.0", Gr5, PD	42	0180177	1	Capscrew-Gr5, 0.5"UNC x 1.5"	60	6704833	6	Firerod
8	0219307	1	Plug-Pipe, SqHd, 1.5"NPT, PN	24	6002390	4	Nut-Hex, Ser Flg, 0.38"NC, Gr2, PD	43	9411727	1	Nut-Hex, Lock, 0.5"NC, PD	61	6200228	4	Nipple-Hlf, Sch40, 2.0" x 2.25", PN
9	0105423	1	Elbow-Pipe, 90, ST, 0.25"NPT, PN	25	6001641	5	Screw-Sock, Flat, 0.5"UNC x 1.25"	44	3354502	1	Plate-Latching	62	6601092	4	Adapter-2.0", Aluminum, Type A
10	6601086	1	Valve, Cock, 0.25MPTX x 0.38Barbed	26	3354840	6	Shoe-Carrier, VW Spraybar	45	3354499	1	Channel-Outer Asm, Lift	63	6600593	4	Coupling-2.0", Alum, E-Tite, Type D
11	3361230	2	Bracket-(6) 1/8" Air Cplgs	27	3354558	1	Plate-Bar Slide, RAD	46	0120377	4	Nut-Hex, 0.375" NC	64	3382879	AR	Washer-Nozzle, Aluminum
12	3355359	1	Carrier-LJS, Bolt On Ends (Includes Ref 13-33 and Subassembly 36)	28	3355363	1	Carrier-Spraybar, Weldment, LJS	47	0120388	4	Washer-Flat, SAE STD, 0.375"	65	3382892	2	Guard-Blanket Support, Aluminum
13	0120376	48	Nut-Hex, 0.31"NC, PD	29	6603416	1	Cyl-Hyd, 2.0" x 24.0", 1.25"Dia. Rod	48	0120382	4	Washer-Lock, Spring, 0.38"	66	*****	AR	Nozzle-See Spray Bar Nozzle Chart
14	3355079	1	Center Bar-Blank, LJS	30	3355084	1	Hinge Asm-RH, No Inner Tube	49	3354503	1	Pin-Height Adjuster, VW				
15	0121913	2	Screw-Hex, 0.25"NC x 1.25", Gr2, Shear	31	9413946	2	Nut-Hex, Lock, 0.25"NC, EA, PD	50	0220088	4	Nut-Hex, 1.0"NC				
16	3355090	2	Plate-Break a way, Hinge, LJS	32	0426899	6	Nut-Hex, Jam, 1.0"NC, PD	51	6604386	1	Cylinder-Air, 1.5" x 0.5"				
				33	3355360	1	Stub Wing-Blank, Bolt On, RH	52	6602876	1	Cylinder-Hyd, 2.0" x 14.0"				
				34	6602230	2	Cylinder-Hyd, 2.0" x 10.0", Wing Up	53	3354504	1	Cap-Channel Tie				
				35	3353260	3	Rod End Asm-Cylinder Mount								

AR = As Required  
 NOTE: Spray Nozzles are NOT included with spray bar sections. Nozzles must be ordered separately.

## Spray Bar Nozzle Chart



**1**

3353788



**2**

3351008



**3**

3351009



**4**

3352368



**5**

3351015



**6**

3352204



**8**

3355010



**9**

3352205



**7,10**

3352210  
3355154



**11**

3351014



**12**

3351010

Ref.	Part No.	Description	Application Gallons Per Square Yard	Application (Metric) Liters Per Square Meter	US Flow Gallons Per Minute Per Foot
1	3353788	V Slot Tack Nozzle 1/8" Rifle Bored	.05 – .20	.23 – 0.91	3.0 – 4.5
	3351013*	V Slot Tack Nozzle 1/16" Coin Slot	.05 – .20	.23 – 0.91	3.0 – 4.5
	3354904	V Slot Tack Nozzle 1/8" Counterbored	.05 – .20	.23 – 0.91	3.0 – 4.5
2	3351008	S36-4 V Slot	.10 – .35	.45 – 1.58	4.0 to 7.5
3	3351009	S36-5 V Slot	.18 – .45	.81 – 2.04	7.0 to 10.0
4	3352368	Multi-Material V Slot	.15 – .40	.68 – 1.81	6.0 to 9.0
5	3351015	3/32" Coin Slot	.15 – .40	.68 – 1.81	6.0 to 9.0
6	3352204	Multi-Material V Slot	.35 – .95	1.58 – 4.30	12.0 to 21.0
7	3355154	<b>End Nozzle</b> (use with 3352204 nozzle)	.35 – .95	1.58 – 4.30	12.0 to 21.0
8	3355010	Multi-Material V Slot	.29 – .72	1.31 – 3.26	10.0 – 16.5
9	3352205	Multi-Material V Slot	.20 – .55	.91 – 2.49	7.5 to 12.0
10	3352210	<b>End Nozzle</b> (use with 3352205 nozzle)	.20 – .55	.91 – 2.49	7.5 to 12.0
11	3351014	3/16" Coin Slot	.35 – .95	1.58 – 4.30	12.0 to 21.0
12	3351010	1/4" Coin Slot	.40 – 1.10	1.81 – 4.98	15.0 to 24.0

\* Special Order

Part No.	Page No.	Part No.	Page No.	Part No.	Page No.	Part No.	Page No.	Part No.	Page No.
0103411	5	3355367	5						
0105423	4	3355370	4						
0120214	4	3355372	4						
0120376	4	3355373	4						
0120377	5	3361230	4						
0120382	5	3361258	4						
0120388	5	3382879	5						
0121913	4	3382892	5						
0180122	5	6001641	4						
0180126	5	6002390	4						
0180177	5	6100880-03	4						
0219307	4	6200228	5						
0220088	5	6600593	5						
0274993	5	6601086	4						
0426899	4	6601092	5						
3351008	6	6602230	4						
3351009	6	6602230	5						
3351010	6	6602876	5						
3351013	6	6603416	4						
3351014	6	6604386	5						
3351015	6	6702533	5						
3352204	6	6704833	5						
3352205	6	7230219	4						
3352210	6	9411727	5						
3352368	6	9413946	4						
3353260	4								
3353504	4								
3353788	6								
3354497	5								
3354499	5								
3354500	5								
3354501	5								
3354502	5								
3354503	5								
3354504	5								
3354510	5								
3354558	4								
3354755	4								
3354840	4								
3354904	6								
3355010	6								
3355079	4								
3355084	4								
3355085	4								
3355090	4								
3355102	4								
3355154	6								
3355329	4								
3355359	4								
3355360	4								
3355362	4								
3355363	4								
3355365	4								
3355366	5								



# Something Wrong with this manual?

If you find inaccurate or confusing information in this manual, or just have a suggestion for improvement, please let us know.

Mail or FAX this form to us at: E. D. ETNYRE & CO. 1333 S. Daysville Rd. Oregon, Illinois 61061 • Fax: 800-521-1107 • [www.etnyre.com](http://www.etnyre.com)

Attn: Service Manager

Recommended changes from: \_\_\_\_\_

Address \_\_\_\_\_

City, State, Zip \_\_\_\_\_

Phone \_\_\_\_\_

Date Sent \_\_\_\_\_

**Manual Number** (upper right corner of front cover) \_\_\_\_\_

**Manual Title** \_\_\_\_\_

## Explain the problem in the space below.

Page Number	Reference Number	Paragraph Number	Figure Number	Problem (please be specific)