

M-301-6-98  
Supplement to Bituminous Transports



# TRANSPORT PARTS SUPPLEMENT

ABS - ANTI-LOCK  
BRAKING SYSTEMS



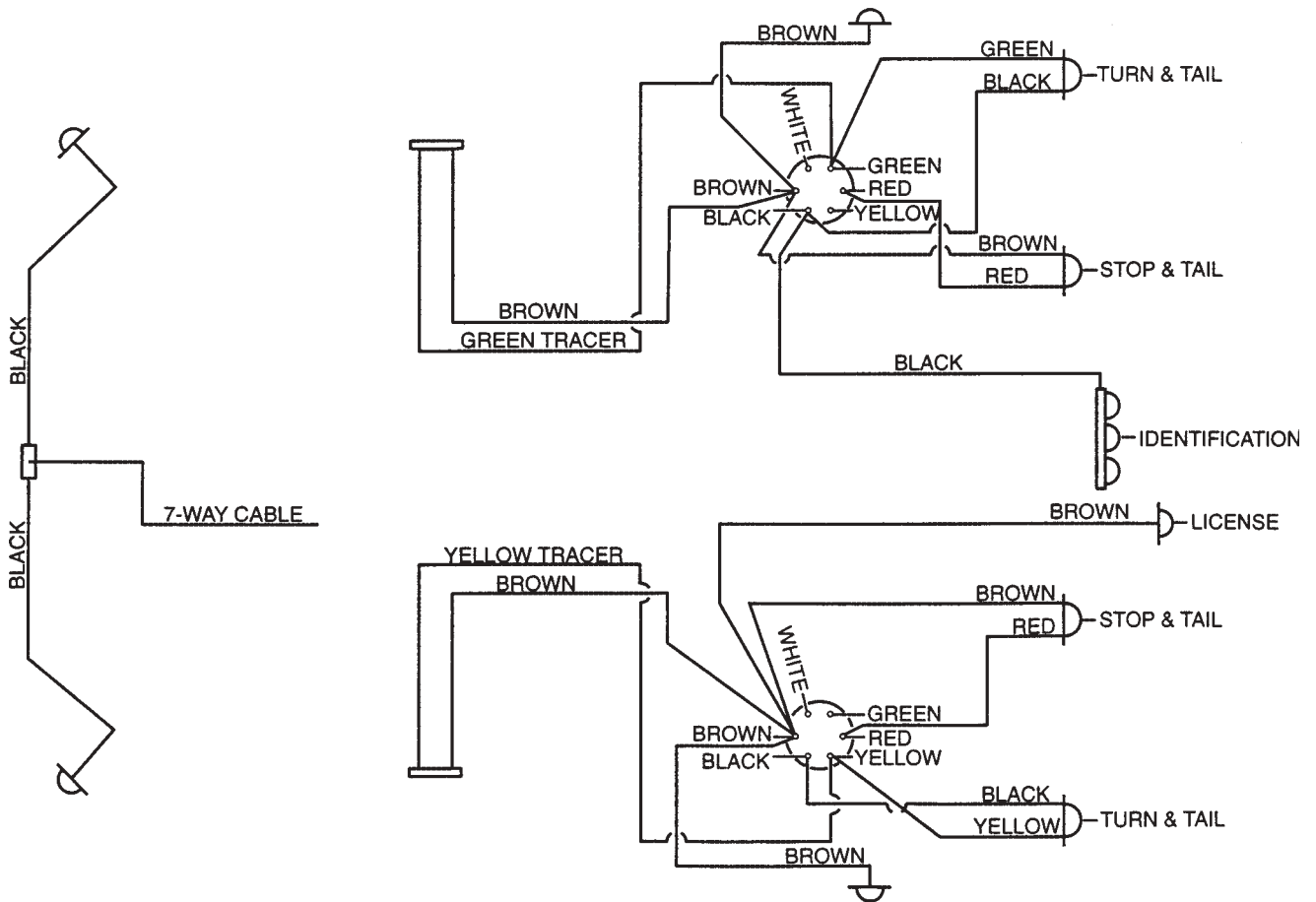
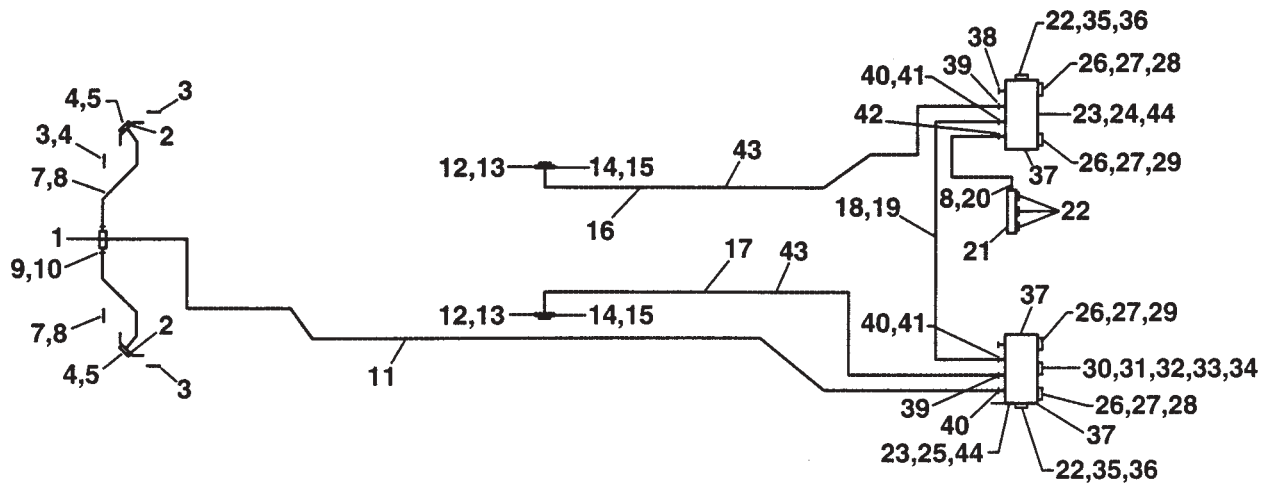
E.D. ETNYRE CO. Oregon, Il. 61061

## Table Of Contents

Table Of Contents .....	1
Lights Installation - Truck Lite .....	2
Standard ABS Wiring .....	4
Alternate ABS Wiring .....	5
Air System - WABCO 4200/2200 Tandem Axle ABS .....	6
Air System - WABCO 4200/2200 Tandem Axle ABS .....	7

## Lights Installation - Truck Lite

4 Lamp ABS - 9301914



**Lights Installation - Truck Lite**  
4 Lamp ABS - 9301914

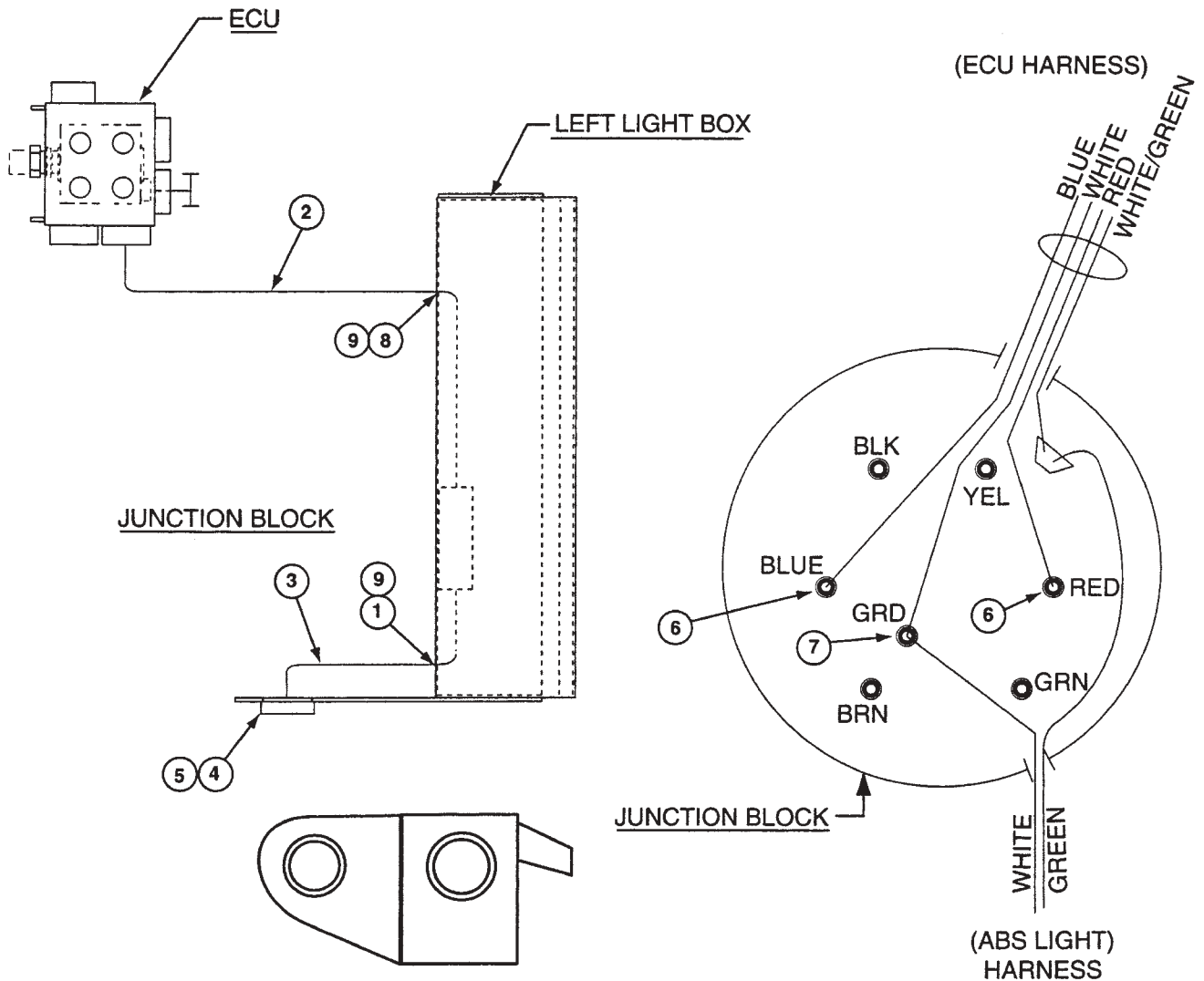
REF	PART NO.	QTY	DESCRIPTION	REF	PART NO.	QTY	DESCRIPTION
1	2770604	1	Connector Asm-7 Way, High Mt., .5E				
	2770135	1	Connect Asm-7 Way, Low Mt., .38/.50				
2	2770075	2	Bracket-Light, Frt Fender, Steel				
	2770076	2	Bracket-Light, Frt Fender, Alum.				
3	98001R	4	Amber Reflector				
4	2770019	2	Bracket-Reflector, Frt Fender, Steel				
	2770117	2	Bracket-Reflector, Frt Fender, Alum.				
5	10208Y	2	Amber Clearance Light				
6	10702	2	Grommet				
7	50304	2	Marker Harness				
8	6000055	20	Cl., .31 In. Rub Tube, BERG 1511-2				
9	6702054	2	Seal-Thd Entr. 0.25NPT, 1RPS				
10	6702053	2	Ring-Grab, Duplex Cable 9Z9177				
11	6702504	50'	Cable-7 Way, GERKSHIRE 81012				
12	2770078	1	Extension Brkt., Side-TRUCK LITE				
	2770064	1	Bracket-Side, TRUCK LITE				
13	2770077	2	Brkt.-Side Light, TRUCK LITE				
	2770065	1	Brace-Brkt., Side, TRUCK LITE				
14	60215Y	2	Mid Turn Marker Lamp				
15	60700	2	Grommet				
16	50344	1	Right Hand Harness				
17	50345	1	Left Hand Harness				
18	6700461	10'	Cable-7 Way, BERKSHIRE 3438/FT				
19	6000059	30	Cl., .62 Rub Tube, BERG 1511-5				
20	50301	1	Identification Harness				
21	00798	1	Bracket				
22	10208R	5	Red Lamp				
23	2770074	2	Bracket Mtg., Light Box				
24	2770073	1	Box-Light, RH, 2 Lamp, Stainless				
25	2770156	1	Box-Light, LH, 2 Lamp, Stainless				
26	40242R	4	Super 40 Lamp				
27	40700	4	Grommet				
28	94993	2	Harness				
29	94931	2	Harness				
30	15729	1	License Lamp Bracket				
31	50307	1	License Lamp Harness				
32	2770071	1	Support-License Plate				
33	0443507	2	Screw-Mach, PNSL, 0.25NC x 1.50, PD				
34	0447839	2	Screw-Tap, PNSL, 10NF x 0.75, F, PD				
35	10708	2	Grommet-2.50				
36	94906	2	Marker Harness				
37	50820	2	8 Post Block Terminal				
38	50830	1	Filler Plug				
39	50846	2	Adapter				
40	50842	3	Adapter-0.75 ID				
41	50845	8	JAM Nut				
42	50840	1	Adapter-0.38 ID				
43	6000056	30	Cl., .38 In. Rub Tube, BERG 1511-3				
44	98001R	4	Red Reflector				

**ATTENTION!**

Ref.#s that are 5 digit with or without letter following, are NOT AVAILABLE through the E.D. ETNYRE CO. Therefore, any replacement parts will need to be obtained through your nearest TRUCK-LITE Dealer or MIDWEST TRUCK PARTS Ph: 1-800-934-2727.

## Standard ABS Wiring

9301915

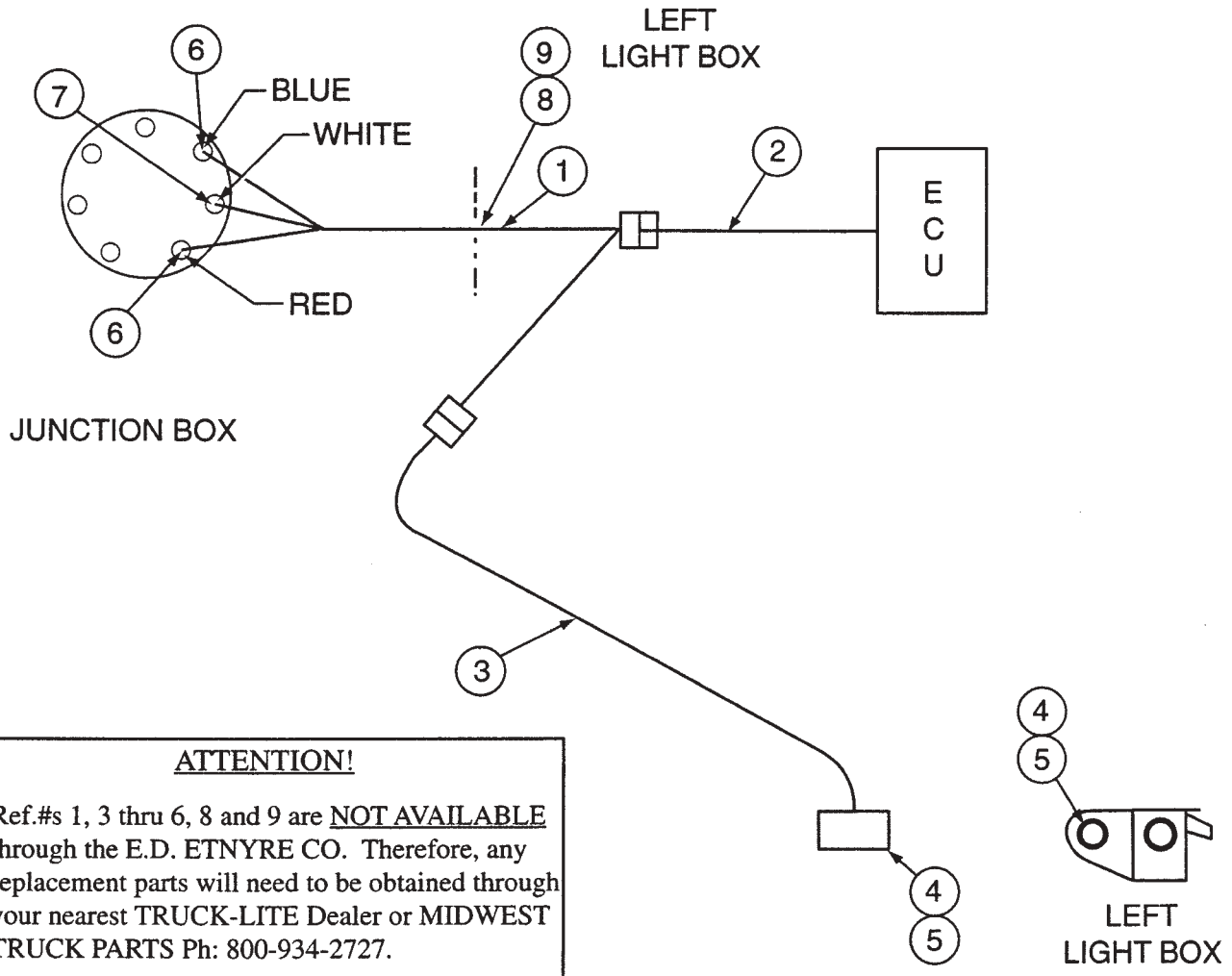


### ATTENTION!

Ref.#s 1, 3 thru 6, 8 and 9 are NOT AVAILABLE through the E.D. ETNYRE CO. Therefore, any replacement parts will need to be obtained through your nearest TRUCK-LITE Dealer or MIDWEST TRUCK PARTS Ph: 800-934-2727.

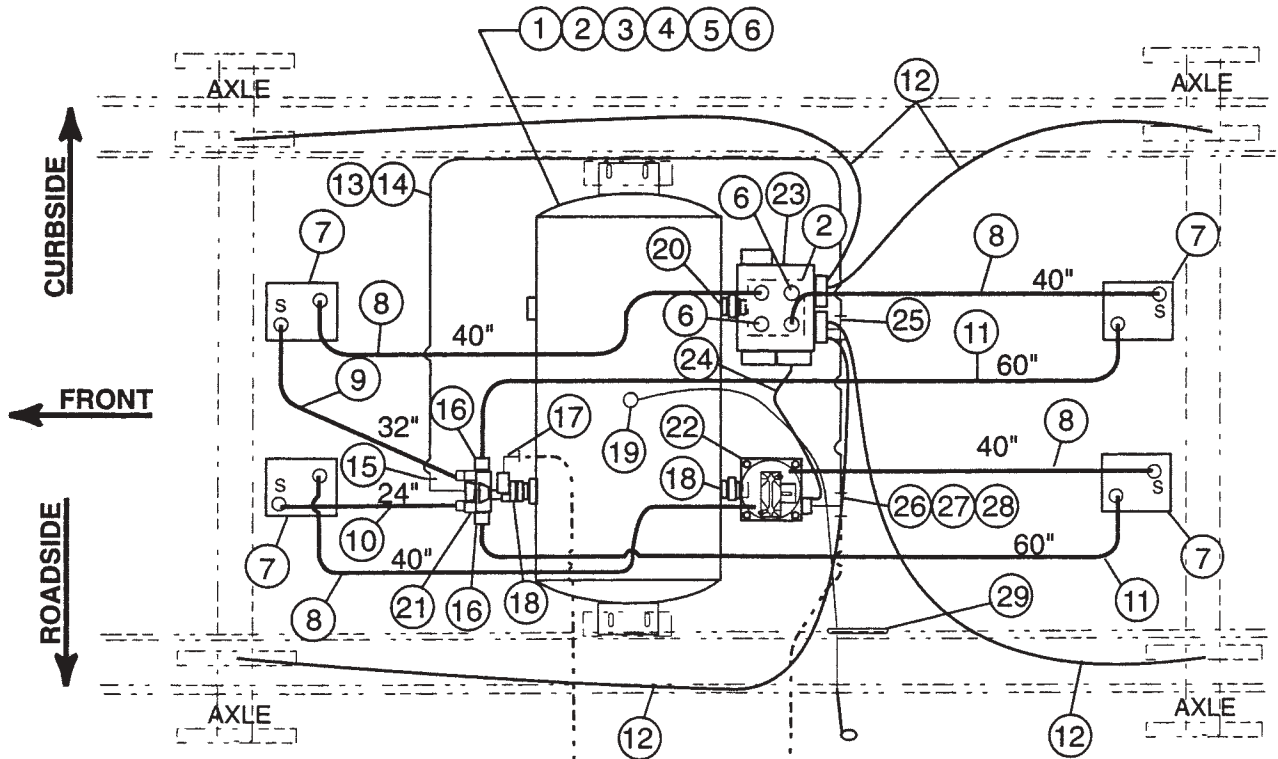
REF.	PART NO.	QTY.	DESCRIPTION
1	50846	1	Adapter-Trk-Lt 3 Con Flat
2	6702529	1	Harness-11.0 Meters WABCO
3	52200	1	Jumper Harness
4	30257Y	1	Light-Marker, 2"
5	30700	1	Grommet
6	35109	2	Terminal-Api
7	6702517	1	Terminal-8 Ga. Wire, 10 Stud
8	5084	1	Compression Fitting, 1.50 ID
9	50845	1	JAM Nut, Comp. Ftg.

## Alternate ABS Wiring 9301915



REF.	PART NO.	QTY.	DESCRIPTION
1	815001	1	Power Harness TL52100 x 120"
2	6702514	1	Harness-1.0 Meters, WABCO
3	52200	1	Jumper Harness
4	30257Y	1	Light-Marker, 2"
5	30700	1	Grommet
6	35109	2	Terminal-Api
7	6702517	1	Terminal-8 Ga. Wire, 10 Stud
8	5084	1	Compression Fitting, 1.50 ID
9	50845	1	JAM Nut, Comp. Ftg.

## Air System - WABCO 4200/2200 Tandem Axle ABS Spring Suspension - 9301762



EMERGENCY LINE (SUPPLY)  
6309201  
TUBING-COPPER, 1/2" OD X 0.049" WALL SUPPLY

SERVICE LINE (SIGNAL)  
6309070  
TUBING-COPPER, 3/8" OD X 0.032 WALL

NOTE: PLEASE SPECIFY UNIT  
SERIAL NUMBER WHEN ORDERING

NOTE: Ref.#12, two rear sensor  
cables are in Kit# 6451074.

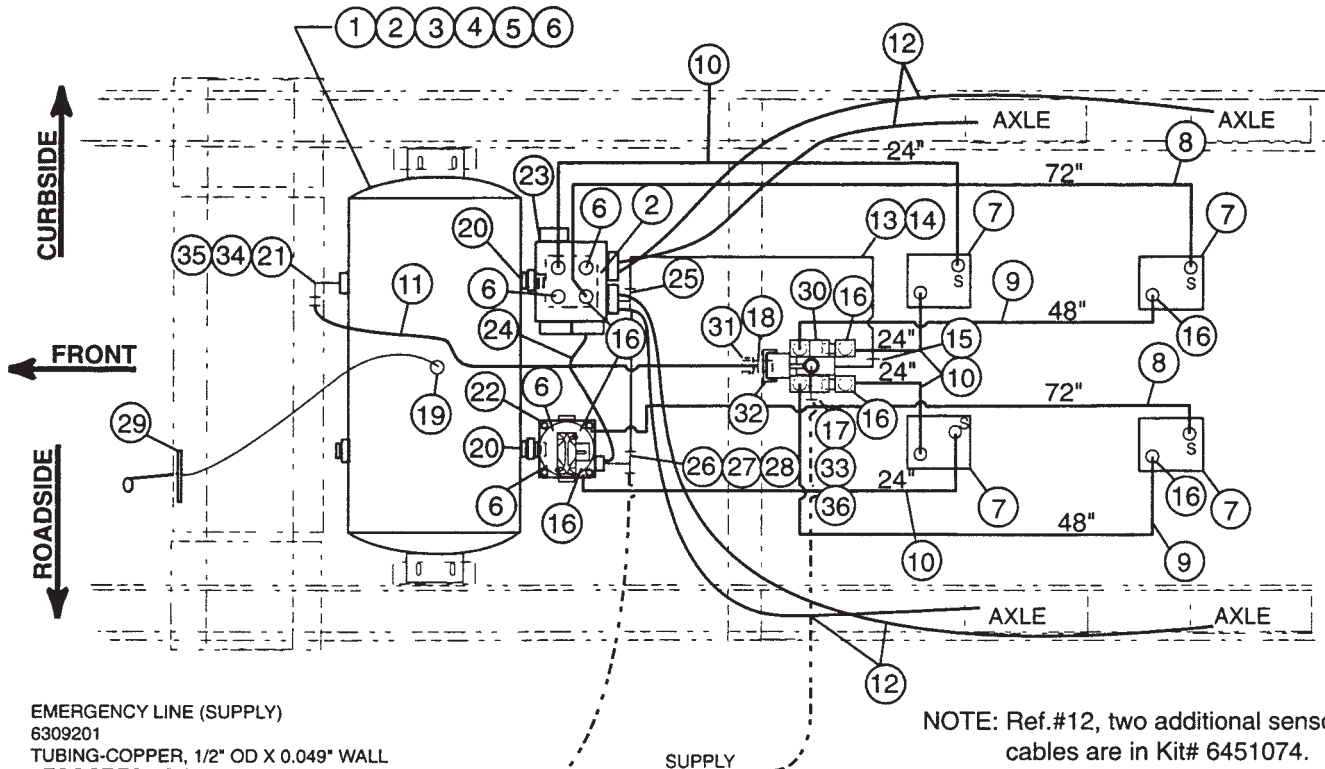
NOTE: For Ref.#s 22 and 23.

Front Axle Only	Front and Rear Axles
Kit: 6451096 Includes;	Kit: 6451074 Includes;
6450954 (1) ECU/Relay Valve	6450954 (1) ECU/Relay Valve
6450955 (1) ABS/Relay Valve	6450955 (1) ABS/Relay Valve
6451076 (2) Sensor Cable	6451076 (4) Sensor Cable
6450956 (2) Spring Clip	6450956 (4) Spring Clip
6450957 (1) Assembly Diagram	6450957 (1) Assembly Diagram

REF	PART NO.	QTY	DESCRIPTION	REF	PART NO.	QTY	DESCRIPTION
1	6600967	1	Tank-Air, One Comp., 2800 CuIn.	16	0444042	2	Elbow-Auto, 90, ST, 0.38NPTF, BR
2	0273469	2	Plug-Auto, Sq. Sock, 0.75NPTF, PD	17	6600673	1	Elbow-Arbk, 90, 06MP-08MC
3	0122145	4	Screw-Hex, 0.38NC x 1.25, GR2, PD	18	Q016074	2	Fitting Hydraulic 3/4" to 1/2"
4	0446363	8	Washer-Flat, 0.31A(0.38 x 0.88), PD	19	6601428	1	Valve-Drain, Auto with Cable
5	0274993	4	Nut-Hex, Lock, 0.38NC, EA, PD	20	Q012833	1	Hex Nipple Fitting, 12 x 12
6	0444867	4	Plug-Auto, Hex Sock, 0.38NPTF, PD	21	6450802	1	Valve-Sprg Brk Priority, SEALCO
7	6450521	4	Chamber-Sprg Brk 30-30, 6.5 Yoke	22*	6450955	1	ABS/Relay Valve
8	6602380-05	4	Hose Asm-Air Brake, 0.38 ID x 40"	23*	6450954	1	ECU/Relay Valve
9	6602380-03	1	Hose Asm-Air Brake, 0.38 ID x 32"	24	6451077	1	Cable-Relay Valve, 1.5M Long
10	6602380-01	1	Hose Asm-Air Brake, 0.38 ID x 24"	25	6200541	1	Tee-Arbk, 06MT-06MT-04MP
11	6602380-09	2	Hose Asm-Air Brake, 0.38 ID x 60"	26	6602142	1	Tee-Arbk MB, 06MT-06MP-06MT
12*	6451097	AR	Sensor Assembly-441 032 808 0	27	6601521	1	Sleeve-Compression 460-F-3/8
13	6309162	AR	Tube-Nylon, Air, 0.38, Generic	28	6600466	1	Nut-Tube, Air Brake, IMP46IF .38
14	6000499	AR	Loom-Fibre, .44, WIREMOLD	29	4010136	1	Guide-Cable, Pull Drain Valve
15	6600945	1	Elbow-Arbk, 90, 06MP-06MT				AR - AS REQUIRED

## Air System - WABCO 4200/2200 Tandem Axle ABS

### Air Suspension - 9301804



EMERGENCY LINE (SUPPLY)  
6309201  
TUBING-COPPER, 1/2" OD X 0.049" WALL

NOTE: Ref.#12, two additional sensor cables are in Kit# 6451074.

SERVICE LINE (SIGNAL)  
6309070  
TUBING-COPPER, 3/8" OD X 0.032" WALL

NOTE: PLEASE SPECIFY UNIT SERIAL NUMBER WHEN ORDERING

NOTE: For Ref.#s 22 and 23.

**Rear Axle Only**  
Kit: 6451096 Includes;  
6450954 (1) ECU/Relay Valve  
6450955 (1) ABS/Relay Valve  
6451076 (2) Sensor Cable  
6450956 (2) Spring Clip  
6450957 (1) Assembly Diagram

**Front and Rear Axles**  
Kit: 6451074 Includes;  
6450954 (1) ECU/Relay Valve  
6450955 (1) ABS/Relay Valve  
6451076 (4) Sensor Cable  
6450956 (4) Spring Clip  
6450957 (1) Assembly Diagram

REF	PART NO.	QTY	DESCRIPTION	REF	PART NO.	QTY	DESCRIPTION
1	6600967	1	Tank-Air, One Comp., 2800 Cu.In.	20	Q012833	1	Hex Nipple Fitting, 12 x 12
2	0273469	2	Plug-Auto, Sq. Sock, 0.75NPTF	21	0144129	1	Elbow-Pipe, 90, 0.75NPT, PD
3	0122145	4	Screw-Hex, 0.38NC x 1.25, GR2, PD	22*	6450955	1	ABS/Relay Valve
4	0446363	8	Washer-Flat, 0.31A(0.38 x 0.88)PD	23*	6450954	1	ECU/Relay Valve
5	0274993	4	Nut-Hex, Lock, 0.38NC, EA, PD	24	6451077	1	Cable-Relay Valve, 1.5M Long
6	0444867	5	Plug-Auto, Hex Sock, 0.38NPTF	25	6200541	1	Tee-Arbk, 06MT-06MT-04MP
7	6450521	4	Chamber-Sprg Brk 30-30, 6.5 Yoke	26	6602142	1	Tee-Arbk MB, 06MT-06MP-06MT
8	6602380-11	2	Hose Asm-Air Brake,0.38 ID x 72"	27	6601521	1	Sleeve-Compression, 460-F-3/8
9	6602380-06	1	Hose Asm-Air Brake,0.38 ID x 48"	28	6600466	1	Nut-Tube, Air Brake, IMP461F .38
10	6602380-01	4	Hose Asm-Air Brake,0.38 ID x 24"	29	4010136	1	Guide-Cable, Pull Drain Valve
11	6309165	3'	Tube-Nylon, Air, 0.75, Generic	30	6450889	1	Valve-Arbk Emgy, Resv, TRAMEC
12*	6451097	AR	Sensor Assembly-441 032 808 0	31	6200510	1	Adapter-Arbk, ST, 08MP-12MT
13	6309162	AR	Tube-Nylon, Air, 0.38, Generic	32	4010950	1	Coupling Asm-Relay Valve
14	6000499	AR	Loom-Fibre, .44, WIREMOLD	33	6601522	1	Sleeve-Compression, 460-F-1/2
15	6600832	1	Elbow-Arbk, 90, 04MP-06MT	34	6600852	1	Adapter-Arbk, ST, 12MP-12MT
16	0444494	9	Elbow-Auto, 45, 06FP-06MP	35	6200321	1	Nipple-PP, Sch 80, 0.75 x 2.50, PD
17	6600966	1	Elbow, 90, 04MP-08MT	36	6602093	1	Nut-Arbk, .50 Copper Tube, Brass
18	Q016074	1	Fitting Hydraulic 3/4" to 1/2"				AR - AS REQUIRED
19	6601428	1	Valve-Drain, Auto with Cable				