

M-301-5-97

M-301-3-91 & M-301-4-91 COMBINED



BITUMINOUS TRANSPORTS

PARTS SUPPLEMENT



E.D. ETNYRE CO. Oregon, Il. 61061

Safety Instructions - Loading Tank - Heating Asphalt

- 1** Do not start burners unless flues are covered with at least 6 inches (150 mm) of asphalt.

If tank is not level, front of flue might be uncovered even if rear of flue is covered.

Be sure the flues are covered with at least 6 inches (150 mm) of asphalt over their full length to avoid a tank explosion.

- 2** If the last load in the tank was emulsion, or there is moisture in the tank, do not load hot asphalt over 200 F. (95 C.).

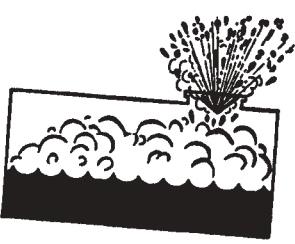
Clean the tank before loading hot asphalt to avoid a tank eruption or boil over.

- 3** If the last load in the tank was emulsion, there may be moisture in the piping, pump, or spraybar even after the tank has been cleaned.

Load 100 gallons (400 liters) of hot asphalt and circulate it through the piping, pump, and spraybar before filling the tank.

Let the tank stand until the foam is gone. Then, finish loading the tank.

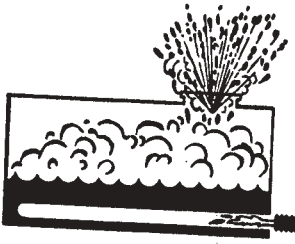
⚠ WARNING



Do not change asphalt grades without reading operators manual. Explosion can occur causing death or serious injury.

3390637

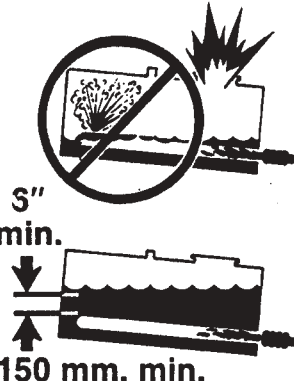
⚠ WARNING



Before lighting burner unlatch manhole to prevent pressure in tank. Explosion can occur causing death or serious injury.

3390639

⚠ WARNING



Do not light burners unless flues are covered. Explosion can occur causing death or serious injury.

3390636

Maintenance

REYCO/TRANSPRO MODEL 86/88 TRAILER SUSPENSION

MAINTENANCE RECOMMENDATIONS

The Model 86/88 suspension, by design, requires a minimum of maintenance. However, suspensions require periodic checks to assure continued trouble-free performance. We recommend, after an initial loaded run-in period of at least 1,000 miles, the trailer alignment should be rechecked and corrected. Furthermore, all fasteners, especially U-bolts, should be retorqued to the specifications below:

1. Check 7/8"-14 U-bolt nuts to assure that 300 - 325 ft. lbs. torque is maintained.
2. Check all hanger mounting bolts to assure tight fit of hanger to frame.
3. Check 1"-14 equalizer thru-bolt to assure that 480 - 500 ft. lbs. torque is maintained.
4. Check 7/8"-14 torque arm bolts to assure that 325 - 350 ft. lbs. torque is maintained.
5. Torque arm clamp (fabricated): Check 1/2"-20 clamp nuts to assure that 55 - 60 ft. lbs. torque is maintained.
6. Torque arm clamp (cast): Check 3/4"-10 clamp nuts to assure that 175 - 200 ft. lbs. torque is maintained.
7. Check 5/8"-18 spring retainer nuts to assure that 25 - 30 ft. lbs. torque is maintained. Spring retainer rollers should freely roll in hangers and equalizers.

We recommend further inspections and appropriate maintenance on the above items at 90 day intervals.

CAUTION

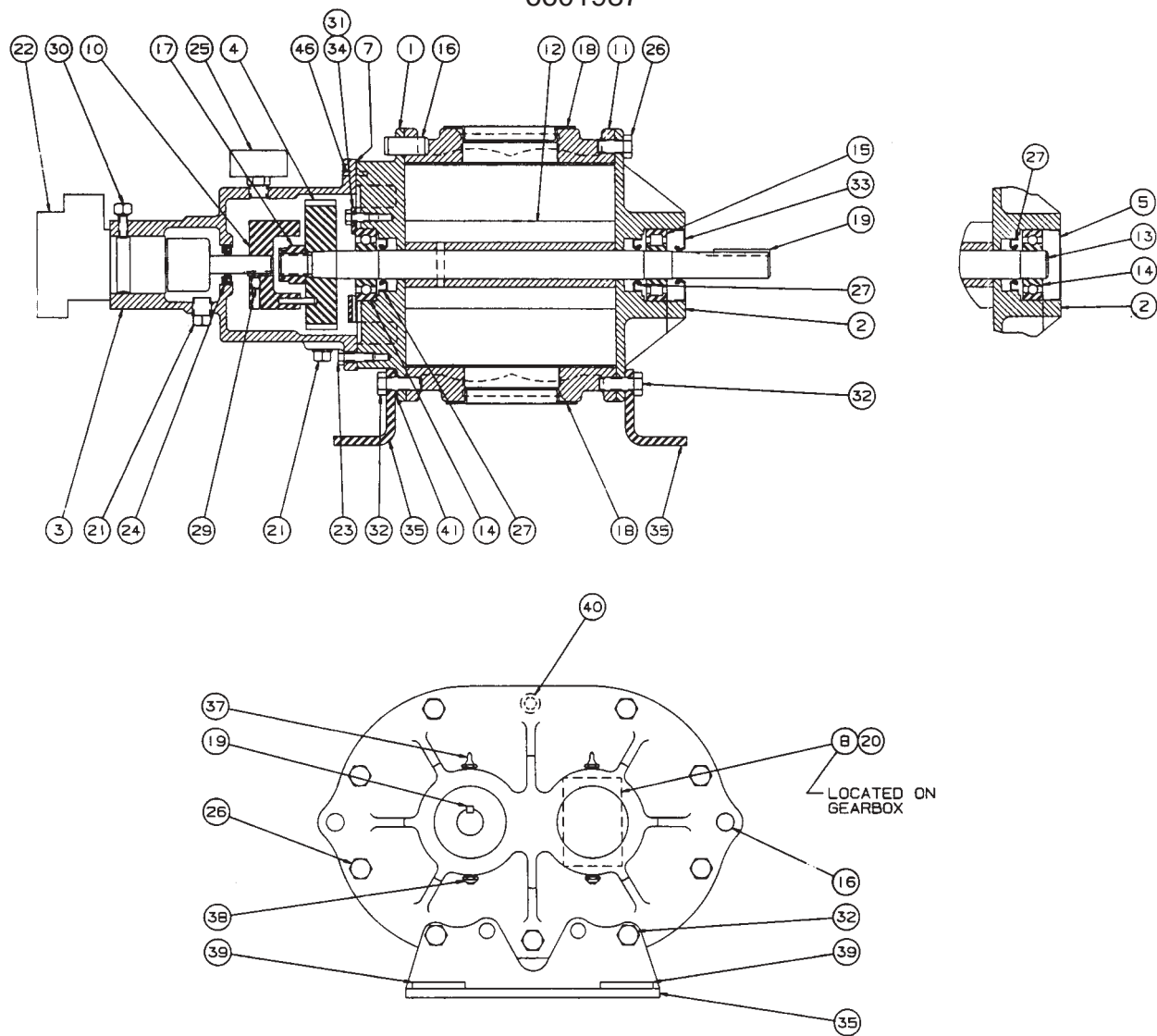
Failure to maintain proper torque values can result in component damage or failure, leading to system failure causing accident or injury, .

TRM 590

Table Of Contents

Safety Instructions - Loading Tank - Heating Asphalt.....	1	Swivel Assembly - Steel - Screw In Style	9
Maintenance	2	Manhole Assembly - 20 Inch, Non-Relieving	10
Table Of Contents	3	8 Inch Fill Cover	11
36 U-RAI Blower With Viking Oil Pump - 6601987	4	Light Installation, 4 Lamp - Betts	12
Valve - 6 Inch Top Control - 9300893	5	Light Installation, 6 Lamp - Betts	13
Pump Off Valve - 4 Inch Tank Assembly	6	Light Installation, 4 Lamp - Truck Lite	14
Rear Discharge Valve Assembly - 4 Inch & 6 Inch	7	Light Installation, 6 Lamp - Truck Lite	15
Swivel Assembly - Steel - 2740383 - Flanged Style	8	License Lamp & Bracket Installation - Truck Lite	16

36 U-RAI Blower With Viking Oil Pump 6601987

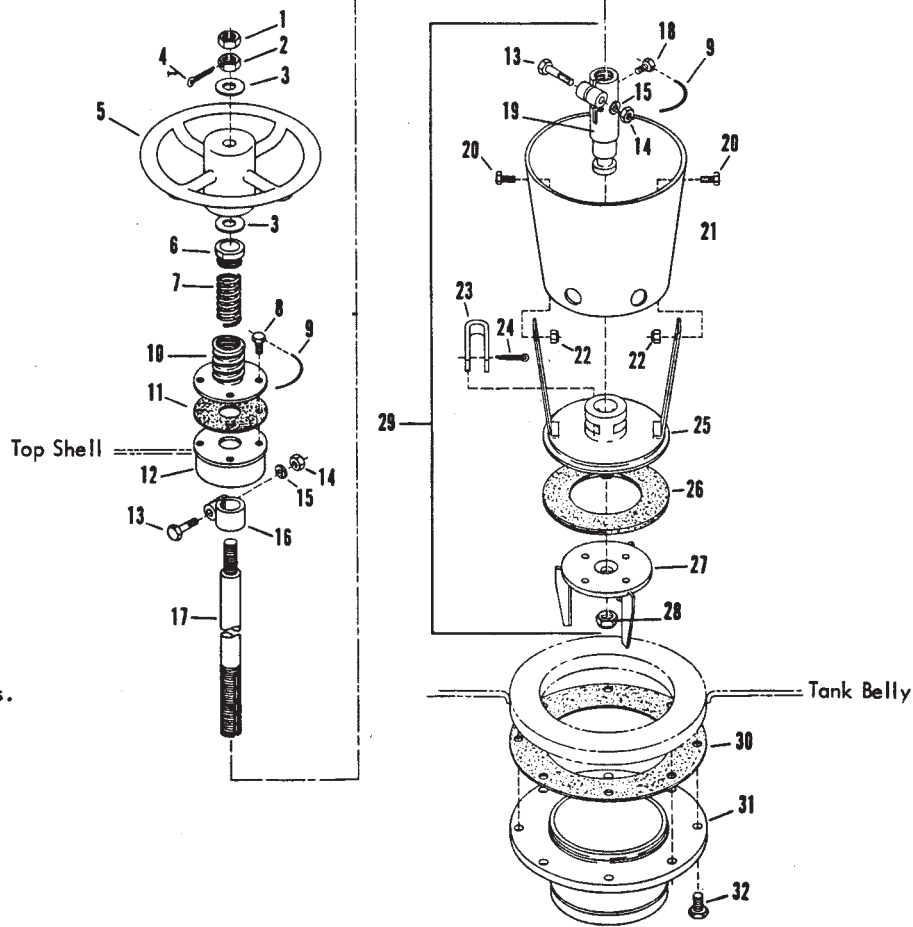


REF.	PART NO.	QTY.	DESCRIPTION	REF.	PART NO.	QTY.	DESCRIPTION
1	7030135	1	Headplate - Gear End	22	7030150	1	Pump-Oil
2	7030136	1	Headplate - Drive End	23	7030151	8	Screw-Cap, Hex Hd
3	7030137	1	Gearhouse	24	7030152	1	Seal-Lip (BUNA-N)
4	7030138	1	Gear Assembly	25	7030153	1	Cap-Breather
5	7030139	1	Plug - Opening	26	7030133	14	Screw-Cap, Hex Hd
7	7030140	1	Gasket, Gearbox	27	7030154	4	Seal-Lip (VITON)
8	7030131	1	Nameplate - Serial Number	29	7030155	1	Plug-Pipe, SQ HD
9	7030141	1	Nameplate - Lube	30	7030156	2	Screw-Set, SQ HD
10	7030142	1	Coupling Asm - Viking Oil Pump	31	7030157	4	Screw-Cap, Hex
11	7030128	1	Cylinder	32	7030158	4	Screw-Cap, Hex
12	7030129	1	Impeller & Shaft, Drive	33	7030159	1	Seal-Lip (BUNA-N)
13	7030130	1	Impeller & Shaft, Driven	34	7030160	2	Plate-Clamp
14	7030143	3	Bearing - Ball	35	7030161	2	Blower-Foot
15	7030144	1	Bearing - Roller	37	7030162	2	Fitting-Grease
16	7030145	4	Pin - Dowel	38	7030163	2	Fitting-Press Relief
17	7030146	2	Nut - Stop-Hex	39	7030164	4	Washer-Oblong
18	7030132	2	Plug - Opening	40	7030134	2	Screw-Cap, Soc Hd
19	7030147	1	Key-Square	41	7030165	2	Washer
20	7030148	2	Screw-Drive, RD HD	46	7030166	2	Pin-Spring
21	7030149	5	Plug-Pipe, SQ HD				

Valve Installation - 6 Inch Top Control

9300893

Used on models manufactured
1981 and later.



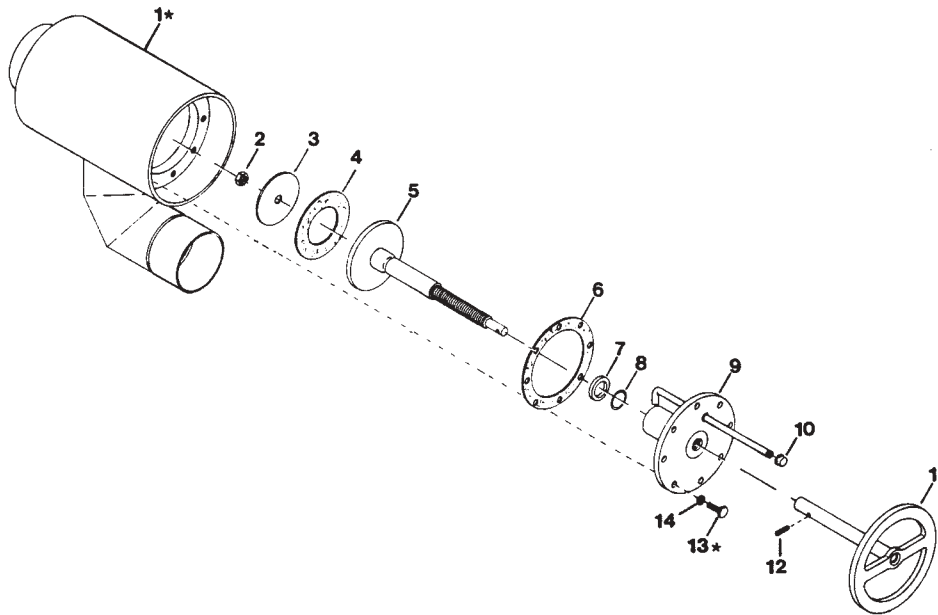
FASTENER TORQUE	
Fastener	Foot Lbs.
No. 1	60
No. 8	15
No. 14	24
No. 18	5
No. 28	7
	30

REF.	PART NO.	QTY.	DESCRIPTION	REF.	PART NO.	QTY.	DESCRIPTION
1	0124589	1	Nut-Hex, 5/8 NC	18	6000449	1	Screw-Cap, Hex, 5/16NC X 3/4, Drid
2	6000390	1	Nut-Hex, 5/8 NC, Drilled	19	2740309	1	Spindle Asm-Lifting, Valve Seat
3	6100028	2	Washer-Wrought, 14 GA, 5/8 X 1 1/2	20	0122007	2	Screw-Hex, 5/16NC X 3/4
4	0103388	1	Pin-Cotter, 1/8 X 1 3/4	21	2740320	1	Cone-Valve, 6 In, Top Control
5	3340417	1	Handwheel - Inside Valve	22	9411638	2	Nut-Hex, Lock, 5/16 NC
	2750159	1	Ring-Finishing	23	2740138	1	Clip-Shaft To Seat, 6 In Disc Valve
6	3340436	1	Nut-Packing	24	0103409	1	Pin-Cotter, 3/16 X 1 1/2
7	3340474	1	Packing	25	2740319	1	Seat Asm-Base, 6 In cone Valve
8	6000389	4	Screw-Hex, 3/8NC X 3/4, Drilled	26	2750597	1	Gasket Asm
9	6303422	AR	Wire-0.041 Dia, Stnls Steel	27	2740318	1	Guide Retainer Asm
10	3340418	1	Connection - Flanged	28	9413948	1	Nut-Hex, Lock, 5/8 NC
11	3340416	1	Gasket-Finishing Ring	29	2740321	1	Cone Asm-Seat, 6 In Valve
12	2750086	1	Gland Asm-Packing, Valve Shaft	30	2740313	1	Gasket-Seat Flange, 6 In Valve
13	0122181	2	Screw-Hex, 3/8 NC X 2 long	31	2740316	1	Tube Asm-Outlet Seat, 6 In Valve
14	0120377	2	Nut-Hex, 3/8 NC	32	0122408	8	Screw-Hex, 1/2NC X 1 long
15	0120382	2	Washer-Lock, 3/8 Spring				
16	2750260	1	Clamp Asm - Stop				
17	2750278	1	Shaft - Valve				
			NOTE: Specify Length Shaft Length Equals Tank I.D. Plus 3 3/4"				
							AR-AS REQUIRED

Pump Off Valve - 4 Inch Tank Assembly

2740442 - Steel

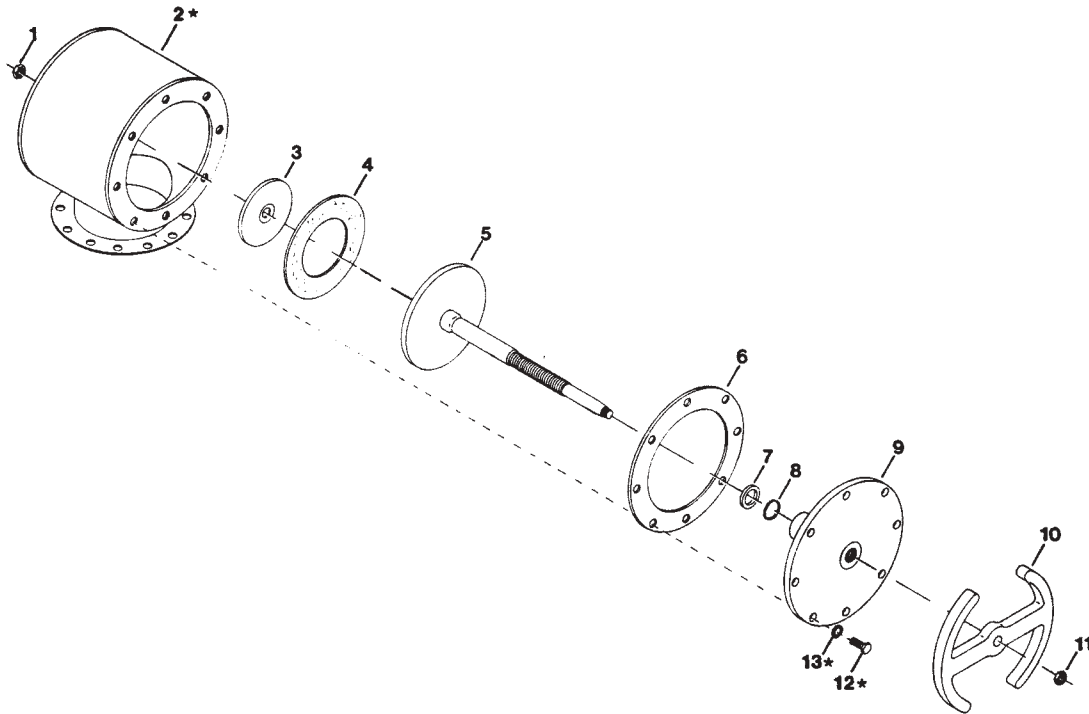
2740419 - Aluminum



REF.	PART NO.	QTY.	DESCRIPTION	REF.	PART NO.	QTY.	DESCRIPTION
1*	2740439	1	Valve-Weldment, POV, 406M, Flanged(Stl)				
	2740418	1	Valve-Weldment, POV, (Alum)				
2	9411727	1	Nut-Hex, Lock, 0.50NC, EA, PD				
3	2740175	1	Retainer-Gasket, Shaft, 4" POV				
4	2740165	1	Gasket-Seat, 4" POV				
5	2740401	1	Plunger Asm-4" POV, 406M				
6	2740189	1	Gasket-Top Plate, 4" POV				
7	6602151	1	Scraper-Nitrile, 1.00 ID x 1.5 OD				
8	6602152	1	O-Ring, 1.25 OD x 0.125				
9	2740392	1	Plate Asm-Top, 4" POV				
10	0105411	1	Cap-Pope, 0.25NPT, PN				
11	2740381	1	Wheel Asm-Hand, POV, 406M				
12	0455481	1	Pin-Spring, 0.19 x 1.00HV, PN				
13*	0122007	8	Screw-Hex, 0.31NC x 0.75, GR2, PD(Steel)				
	0122027	8	Screw-Hex, 0.31NC x 1.25, GR2, PD (Alum)				
14	0120214	8	Washer-Lock, 0.31, Spring Spring, PD				

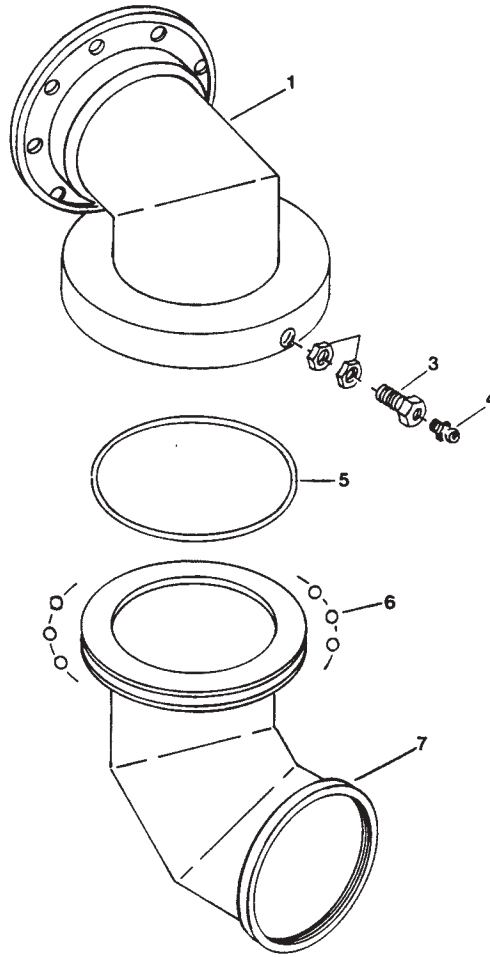
Rear Discharge Valve Assembly - 4 Inch & 6 Inch

2740369 - 2740433 - Steel
2740406 - 2740425 - Aluminum



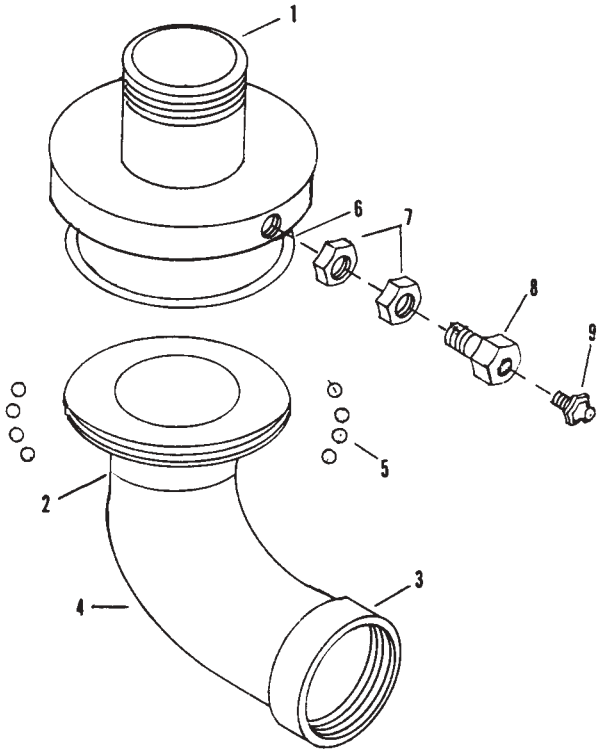
REF.	PART NO.	QTY.	DESCRIPTION	REF.	PART NO.	QTY.	DESCRIPTION
1	9413948	1	Nut-Hex, Lock, 0.62NC,EA,GRA,PD				
2*	2740127	1	Body-Asm Body Asm-6"Disc Valve(Steel)				
	2740429	1	Body Asm-6" to 4" (Steel)				
	2740221	1	Body Asm-6" Vlv, (Alum)				
	2740424	1	Body Asm-4" Vlv, (Alum)				
3	2740137	1	Retainer-Gasket, Shaft, 6", POV				
4	2750597	1	Gasket-Seat, 6" POV				
5	2740367	1	Plunger Asm-6", POV				
6	2740140	1	Gasket-6" Disc Valve				
7	6602151	1	Scraper-Nitrile, 1.00 ID x 1.5 OD				
8	6602152	1	O-Ring-#568-214, 1.25 OD x 0.125				
9	2740361	1	Plate Asm-Top, 6" POV				
10	2740354	1	Handwheel-6" POV				
11	0274637	1	Nut-Hex, Lock, 0.50NF,EA,GRA,PD				
12*	0122408	8	Screw-Hex, 0.50NC x 1.00,GR2,PD (St1)				
	0120426	8	Screw-Cap Hex HD, 0.50NC x 1.25 Lg(A1)				
13*	6600264	8	Gasket-0.75 x 0.50, Copper ASB (Not Required for Alum Haulers)				

Swivel Assembly - Steel
2740383 - Flanged Style

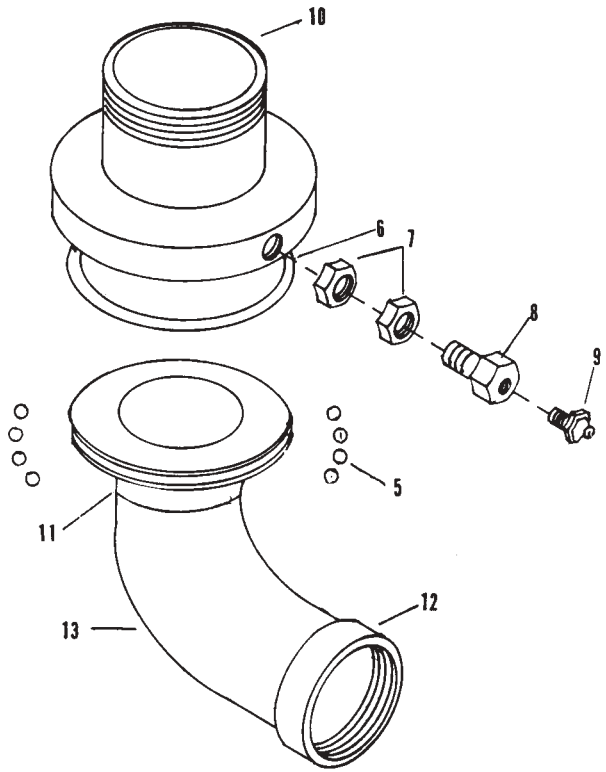


REF.	PART NO.	QTY.	DESCRIPTION	REF.	PART NO.	QTY.	DESCRIPTION
1	2740420	1	Swivel Weldment-Upper, 4" Miter				
2	0272123	2	Nut-Hex, JAM, 0.44 NF,PD				
3	2740371	1	Screw-Grease Fitting				
4	9411027	1	Fitting-Lub, ST, x 1/2 Type C				
5	6602118	1	O-Ring, 5.5 OD x 0.25, #568-429				
6	6000290	47	Ball-0.375, Steel, G 500C				
7	2740459	1	Swivel Weldment-Lower, 4" Miter, 3"				

Swivel Assembly - Steel Screw In Style



Swivel Asm-Steel, 3 X 3 & 4 X 4



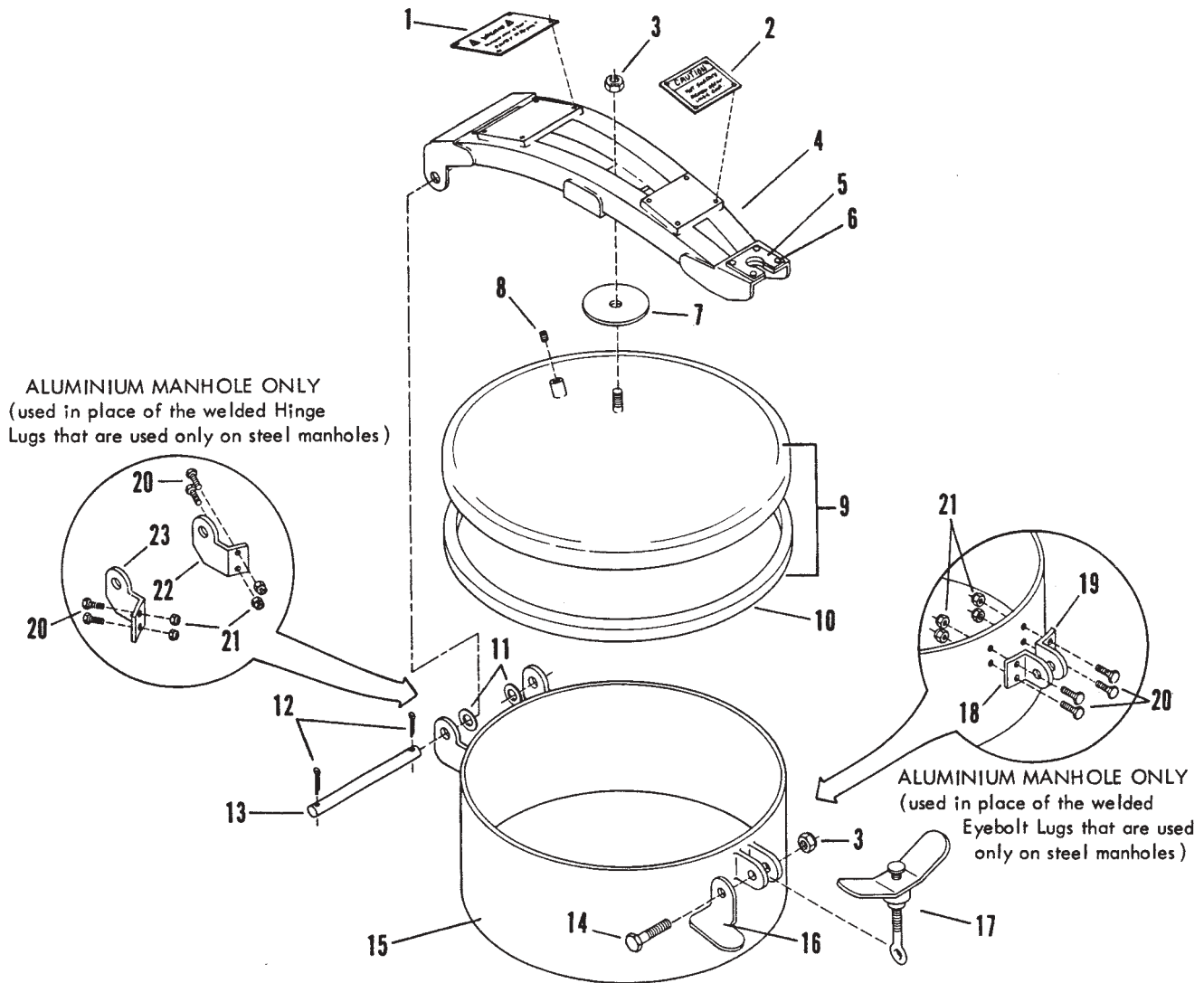
Swivel Asm-Steel, 4 X 3

REF.	PART NO.	QTY.	DESCRIPTION	REF.	PART NO.	QTY.	DESCRIPTION
1	2740352	1	Plate Asm-Inlet, 3" Swivel				
	2740341	1	Plate Asm-Inlet, 4" Swivel				
2	2740348	1	Plate Asm-Outlet, 3" Swivel				
	2740344	1	Plate Asm-Outlet, 4" Swivel				
3	6200037	1	Coupling-Pipe, Half, 3.00 NPT, PN				
	6200038	1	Coupling-Pipe, Half, 4.00 NPT, PN				
4	6200580	1	Elbow-Weld, 90, 3.00, Lg. RAD				
	6200545	1	Elbow-Weld, 90, 4.00, Lg. RAD				
5	6000290	47	Ball-0.375, STL, G 500C				
6	6602118	1	O-Ring-5.5 O.D. x 0.25, #568-429				
7	0272123	2	Nut-Hex, Jam, 0.44 NF, PD				
8	2740371	1	Screw-Grease Fitting				
9	9411027	1	Fitting-Lub, STGT Type C				
10	2740341	1	Plate Asm-Inlet, 4" Swivel				
11	2740348	1	Plate Asm-Outlet, 3" Swivel				
12	6200037	1	Coupling-Pipe, Half, 3.00 NPT, PN				
13	6200580	1	Elbow-Weld, 90, 3.00, Lg. RAD				

Manhole Assembly - 20 Inch, Non-Relieving

2700245 - Steel

2700258 - Aluminum

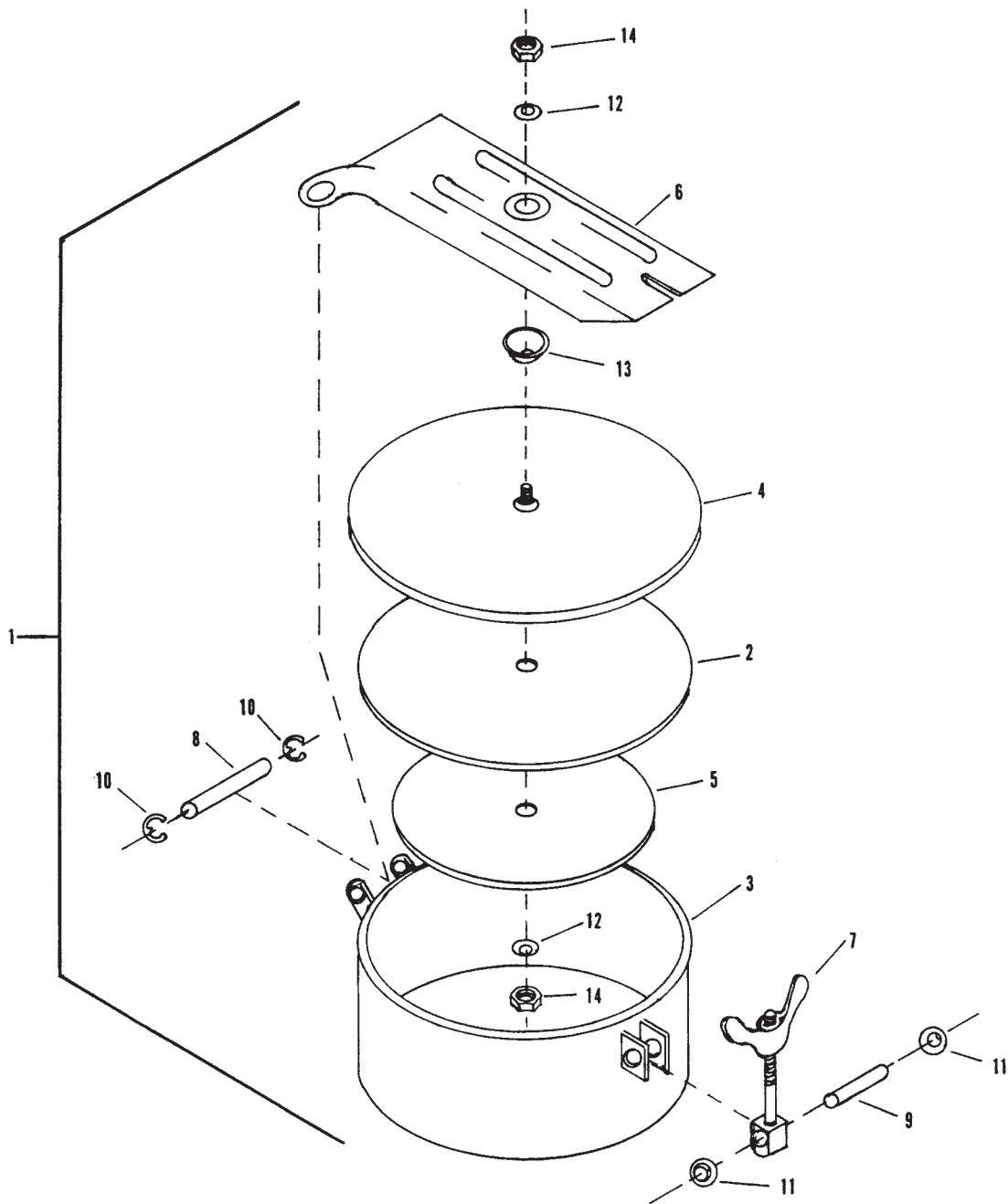


ALUMINIUM MANHOLE ONLY
(used in place of the welded Hinge Lugs that are used only on steel manholes)

ALUMINIUM MANHOLE ONLY
(used in place of the welded Eyebolt Lugs that are used only on steel manholes)

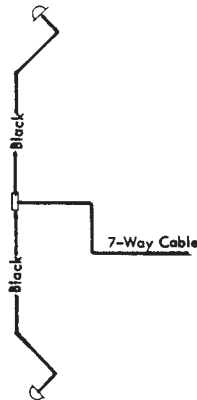
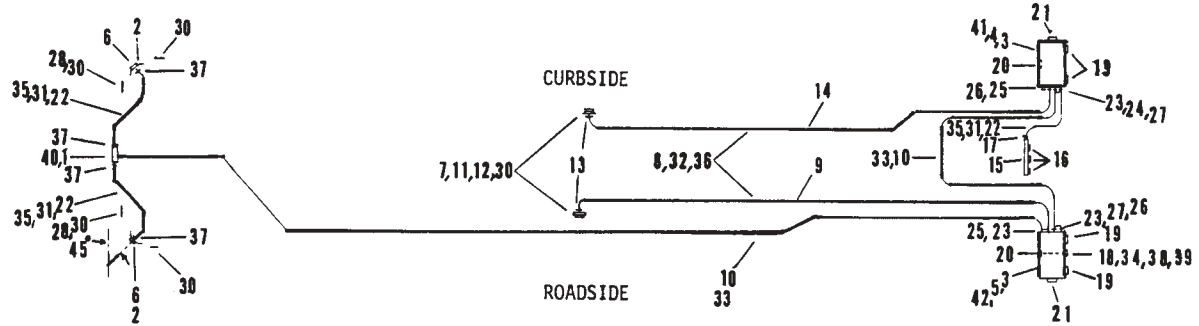
REF.	PART NO.	QTY.	DESCRIPTION	REF.	PART NO.	QTY.	DESCRIPTION
1	3390535	1	Plate-Warning, Manhole Safety	15	2700232	1	Collar Asm-20" Manhole, Steel
2	3561030	1	Plate-Caution, Hot Surface		2700106	1	Collar-20" Manhole, Aluminium
3	9411727	2	Nut-Hex, Lock, 0.50NC, EA, PD	16	2700234	1	Prop-Cover
4	2700244	1	Strongback Asm-20" Manhole, Non-Rel. (includes Ref. No's 5 and 6)	17	2700243	1	Hold Down Asm-20" Manhole
5	2700246	1	Plate-Wear, Handwheel	18	2700251	1	Eyebolt Lug - Left
6	6100374	4	Rivet-Pop, 0.19	19	2700252	1	Eyebolt Lug - Right
7	2700241	1	Reinforcer-Cover	20	0454884	8	Screw-Hex, 5/16 NF X 7/8, GR 8
8	0444867	1	Plug-Auto, Hex Sock, 0.38 NPTF, PD	21	6001134	8	Nut-Hex, Lock, 5/16 NF, GR C
9	2700242	1	Cover Asm-20" Manhole, Non-Rel.	22	2700249	1	Hinge Lug - Left
10	2700248	1	Gasket-Cover, 20" Manhole, Non-Rel.	23	2700250	1	Hinge Lug - Right
11	6100376	AR	Washer-Wave				
12	0137204	2	Pin-Cotter, 0.12 X 1.50, PD				
13	3300121	1	Shaft-Hinge, 20" Manhole				
14	0122459	1	Screw-Hex, 0.50NC X 2.00, GR 2, PD				

8 Inch Fill Cover

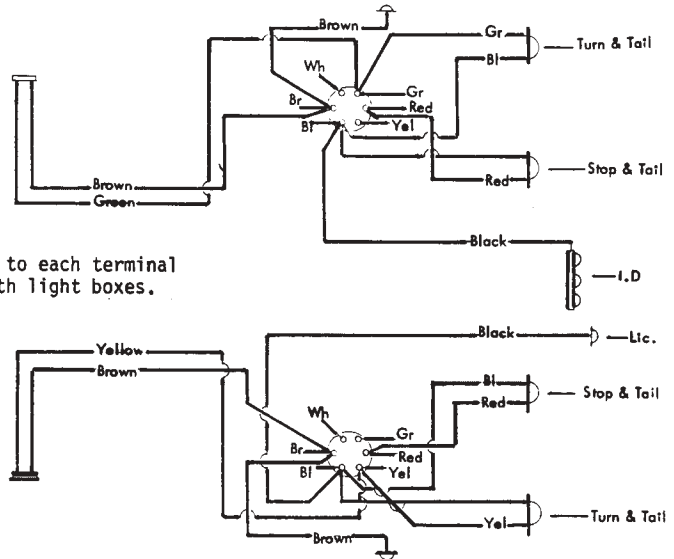


REF.	PART NO.	QTY.	DESCRIPTION	REF.	PART NO.	QTY.	DESCRIPTION
<u>ETNYRE PT. NO.</u>				10	4674	2	Clip, Retainer
1	6001118	1	LW 8" Cover Asm.	11	1020	2	Nut, Pal
2	7200048	1	Gasket	12	1117	2	Washer, Formed
<u>KNAPP CO. PT. NO.</u>				13	1101	1	Washer, Fill Cover
3	3946	1	Weld Ring Asm.	14	1104	2	Nut, Lock
4	1634	1	Cover				
5	1639	1	Retainer, Gasket				
6	3947	1	Strongback				
7	2627	1	Stud, Asm.				
8	3721	1	Pin, Hinge				
9	1038	1	Pin, Pivot				

Light Installation, 4 Lamp Betts

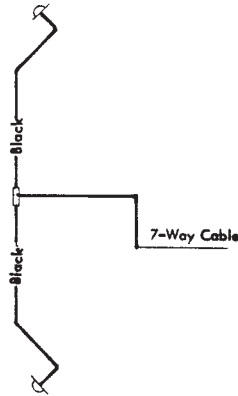
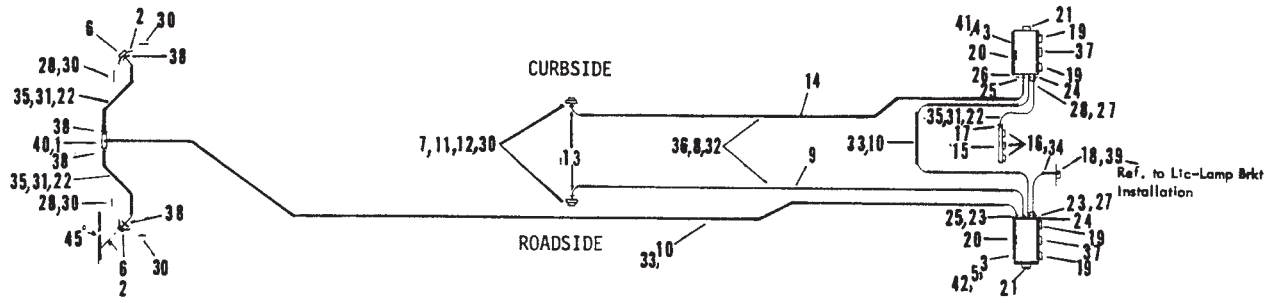


Connect Blue wire to each terminal
Block (Aux) in both light boxes.

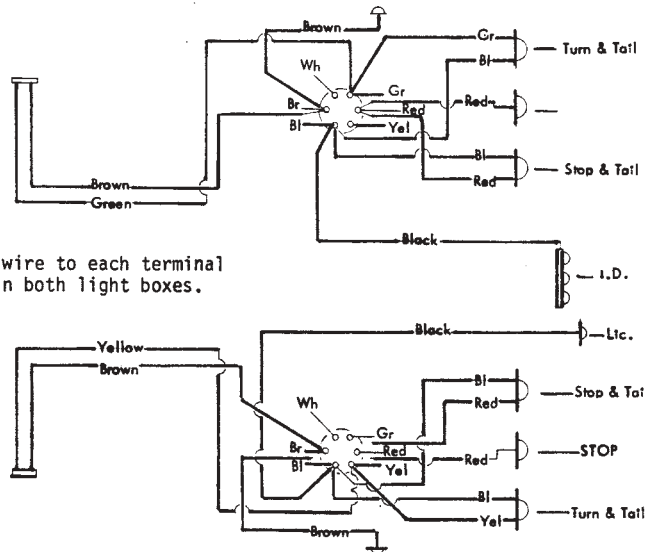


REF.	PART NO.	QTY.	DESCRIPTION	REF.	PART NO.	QTY.	DESCRIPTION
1	2770058	1	Connector Asm-7 Way	22	6700115	30'	Wire-14 Ga, Plastic, Black, Ft.
2	2770075	2	Bracket-Light, Frt. Fender, Steel	23	6702110	3	50842 Compression Fitting-3/4" I.D.
3	2770074	2	Bracket-Lite Box, Truck Lite	24	6702108	1	50840 Compression Fitting-3/8" I.D.
4	2770073	1	Box Asm-Light, RH, 2-Lamp, Stal. St.	25	6702109	2	Adapter-Trk-Lt .50 I.D. 50841
5	2770072	1	Box Asm-Light LH, 2-Lamp, Stainless Steel	26	6702141	2	50830 Filler Plug
6	6700339	2	Light Asm-Clearance B-50 BETTS	27	6702107	8	50845 Jam Nut
7	2750550	1	Extension Brkt, Side Light	28	2770019	2	Bracket-Reflector
8	6700116	40'	Wire-14 Ga, Plastic, Brown, Ft.	29	6000685	4	Reflector-Red
9	6700121	20'	Wire-14 Ga, Plastic, Yellow, Ft.	30	6000686	6	Reflector-Amber
10	6700461	60'	Cable-7 Way, Berkshire #3438 1 Ft.	31	6000056	20	Clamp-3/8" Rubber
11	2770060	2	Bracket-Side Light, B-50	32	6000057	30	Clamp-1/2" Rubber
12	6701900	2	Lamp-Clearance & Turn, 50-20232	33	6000059	30	Clamp-5/8" Rubber
13	6601920	2	Elbow-Arbk, 45,04MP-08MT	34	6702124	1	50307 Harness-30"
14	6700117	20'	Wire-14 Ga, Plastic, Green, Ft.	35	6309102	30'	Tube-0.38 x 0.06, Poly, Ft.
15	2750577	1	Bracket-Rear, Identification Lamp	36	6309101	40'	Tube-0.50 x 0.06, Poly, Ft.
16	6700084	1	Lamp-I.D. BETTS #200-09122	37	6601245	4	Adapter-Auto, ST, 04MP-06T, Poly
17	6700365	1	Connector-Mini Barb, 3/8T x 1/8MP	38	2770071	1	Support-Licence Plate
18	6702116	1	15009 Lamp-Licence Light	39	0443507	2	Screw-Mach, Pnsl, 0.25NC x 0.50, PD
19	6702103	4	Lamp-BETTS 45VAG-02122 W/Cable	40	2770063	1	Connector Asm-7 Way, Low Mount
20	6702106	2	50820 Terminal Block	41	2770093	1	Box Asm-Light, RH, 2-Lamp, Steel
21	6700742	2	Light Asm-B-50SD W/51ST Lens	42	2770096	1	Box Asm-Light, LH, 2-Lamp, Steel

Light Installation, 6 Lamp Betts

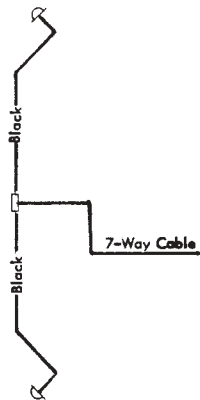
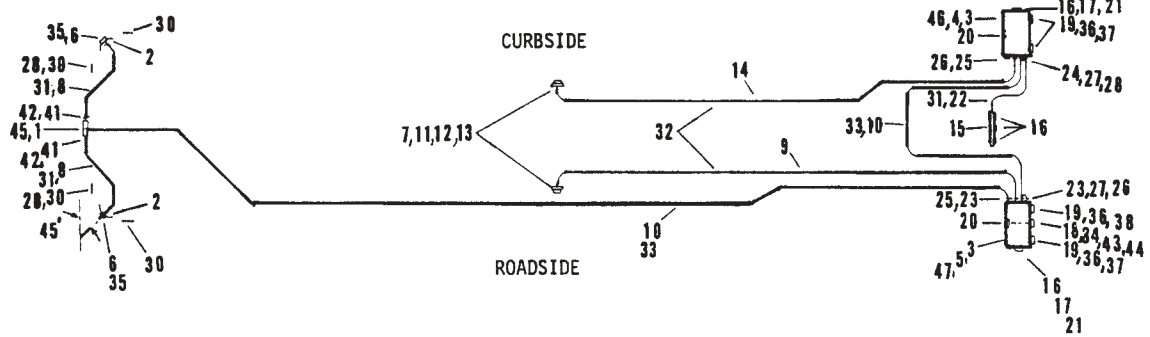


Connect Blue wire to each terminal block (Aux) in both light boxes.

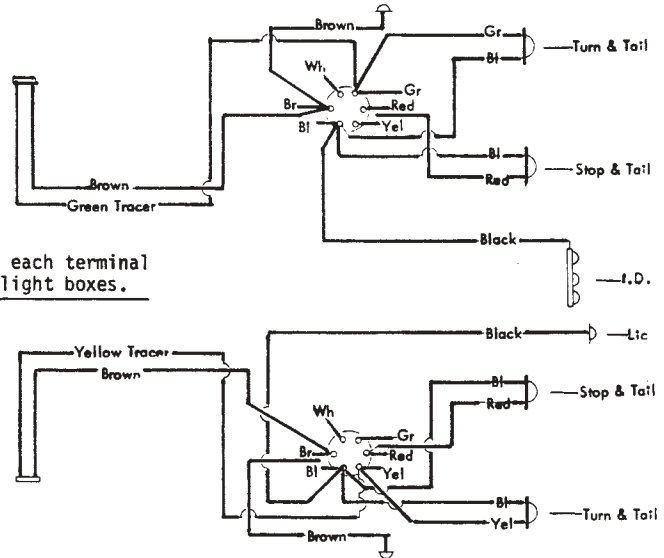


REF.	PART NO.	QTY.	DESCRIPTION	REF.	PART NO.	QTY.	DESCRIPTION
1	2770058	1	Connector Asm-7 Way	22	6700115	30'	Wire-14 Ga. Plastic, Black, Ft.
2	2770075	2	Bracket-Light, Frt. Fender, Steel	23	6702110	3	50842 Compression Fitting-3/4" I.D.
3	2770074	2	Bracket-Lite Box, Truck Lite	24	6702108	2	50840 Compression Fitting-3/8" I.D.
4	2770092	1	Box Asm-Light, RH, 3 Lamp, Stainless Steel	25	6702109	2	Adapter-Trk-Lt. .50 I.D. 50841
5	2770095	1	Box Asm-Light, LH, 3 Lamp, Stainless Steel	26	6702141	1	50830 Filler Plug
6	6700339	2	Light Asm-Clearance B-50 BETTS	27	6702107	8	50845 Jam Nut
7	2750550	1	Extension Brkt, Side Light	28	2770019	2	Bracket-Reflector
8	6700116	40'	Wire-14 Ga, Plastic, Brown, Ft.	29	6000685	4	Reflector-Red
9	6700121	20'	Wire-14 Ga, Plastic, Yellow, Ft.	30	6000686	6	Reflector-Amber
10	6700461	60'	Cable-7 Way, Berkshire #3438 1 Ft.	31	6000056	20	Clamp-3/8" Rubber
11	2770060	2	Bracket-Side Light, B 50	32	6000057	30	Clamp-1/2" Rubber
12	6701900	2	Lamp-Clearance & Turn, 50-20232	33	6000059	30	Clamp-5/8" Rubber
13	6601920	2	Elbow-Arbk, 45, 04MP-08M.	34	6702124	1	50307 Harness-30"
14	6700117	20'	Wire-14 Ga, Plastic, Green, Ft.	35	6309102	30'	Tube-0.38 x 0.06, Poly, Ft.
15	2750577	1	Bracket-Rear, Identification Lamp	36	6309101	40'	Tube-0.50 x 0.06, Poly, Ft.
16	6700084	1	Lamp-I.D. BETTS #200-09122	37	6702131	2	Lamp-BETTS 45V-01122 W/Cable
17	6700365	1	Connector-Mini Barb, 3/8T x 1/8 MP	38	6601245	4	Adapter-Auto, St, 04 .06T, Poly
18	6702116	1	15009 Lamp-Licence Light	39	2770079	1	Bracket-Lic & Lamp, Truck-Lite
19	6702103	4	Lamp-BETTS 45VAG-02122 W/Cable	40	2770063	1	Connector Asm-7 Way, Low Mount
20	6702106	2	50820 Terminal Block	41	2770091	1	Box Asm-Light, RH, 3-Lamp, Steel
21	6700742	2	Light Asm-B-50SD W/51ST Lens	42	2770094	1	Box Asm-Light, LH, 3-Lamp, Steel

Light Installation, 4 Lamp Truck Lite

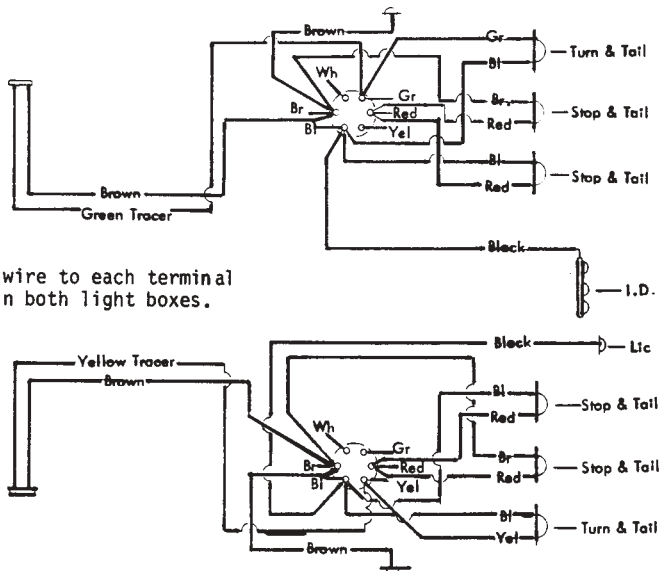
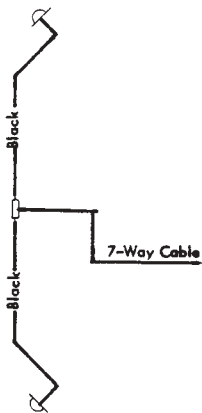
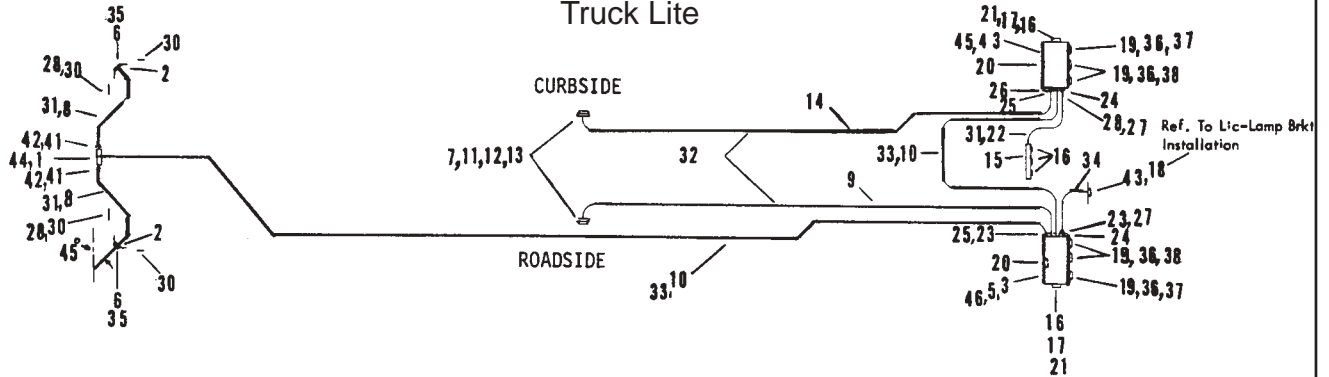


Connect Blue wire to each terminal block (Aux) in both light boxes.



REF.	PART NO.	QTY.	DESCRIPTION	REF.	PART NO.	QTY.	DESCRIPTION
1	2770058	1	Connector Asm-7 Way	25	6702111	2	50846 Compression Fitting-Oval
2	2770075	2	Bracket-Light, Frt. Fender, Steel	26	6702141	2	50830 Filler Plug
3	2770074	2	Bracket-Lite Box, Truck Lite	27	6702107	8	50845 Jam Nut
4	2770073	1	Box Asm-Light, RH, 2-Lamp, Stal. St.	28	2770019	2	Bracket-Reflector
5	2770072	1	Box Asm-Light, LH, 2-Lamp, Stal. St.	29	6000685	4	Reflector-Red
6	6702114	2	10208Y Yellow Marker Lamp-Truck Lite	30	6000686	4	Reflector-Amber
7	2770078	1	Extension Brkt, Side Truck Lite	31	6000055	20	Clamp-5/16" Rubber
8	6702123	2	50304 Harness-Marker, 168"	32	6000056	30	Clamp-3/8" Rubber
9	6702128	1	50345 Harness-Left Turn, 456", Wh/Yel Br	33	6000059	30	Clamp-5/8" Rubber
10	6700461	60'	Cable-7 Way, Bershire #3438 1 Ft.	34	6702124	1	50307 Harness-30"
11	2770077	2	Bracket-Side Light, Truck Lite	35	6702120	2	10702 Grommet-2 1/2" C/M Closed
12	6702115	2	60215Y Yellow Side Turn, Marker, Refl. LP	36	Q450498	4	40700 Grommet-4.00
13	6702118	2	60700 Grommet-Truck Lite	37	6702125	2	94993 Harness (Turn & Cl) x 9 3/4" Lg.
14	6702127	1	50344 Harness-Right Turn, 456", Wh/Gr/Br	38	6702126	2	94931 Harness (Stop & Tail) x 48" Lg.
15	6702117	1	00798 Bracket-Identification, Truck-Lite	39	2770064	1	Bracket-Side, Truck Lite, Hose Tr. Mtg.
16	6702113	5	10208R Red Marker-Truck Lite	40	2770065	1	Brace-Brkt, Side Truck Lite, Hose Tr Mtg
17	6702119	2	10708 Grommet-Truck Lite	41	6702054	2	Seal-Thd Entr, 0.250 NPT IRPS
18	6702116	1	15009 Lamp-Licence Light	42	6702053	2	Ring-Grab, Duplex Cable 929177
19	6702112	4	40242R Lamp-Stop, Turn & Tail Light	43	2770071	1	Support-Licence Plate
20	6702106	2	50820 Terminal Block	44	0443507	2	Screw-Mach, Pnsl, 0.25NC x 0.50, PD
21	6702122	2	94906 Harness-Marker, 15"	45	2770063	1	Connector Asm-7 Way, Low Mount
22	6702121	1	50301 Harness-Identification, 288"	46	2770093	1	Box Asm-Light, RH, 2-Lamp, Steel
23	6702110	3	50842 Compression Fitting-3/4" I.D.	47	2770096	1	Box Asm-Light, LH, 2-Lamp,
24	6702108	1	50840 Compression Fitting-3/8" I.D.				

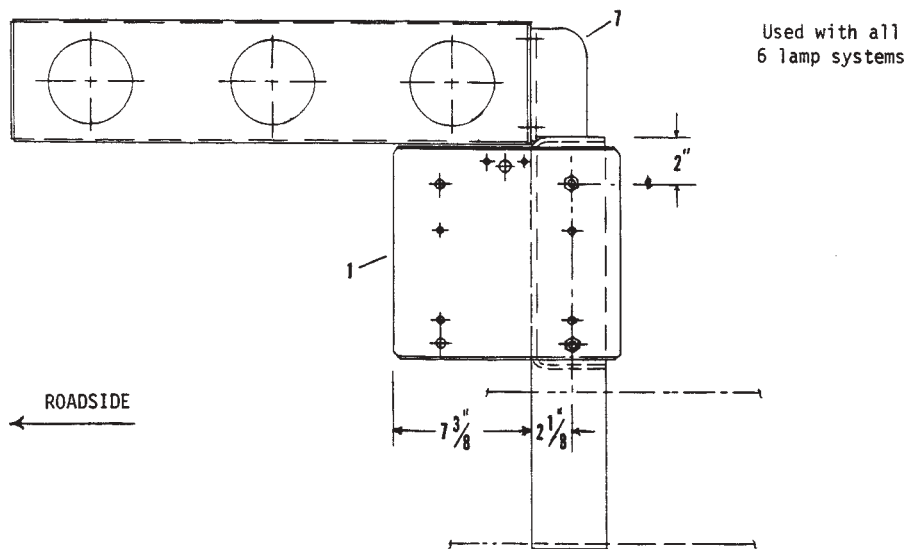
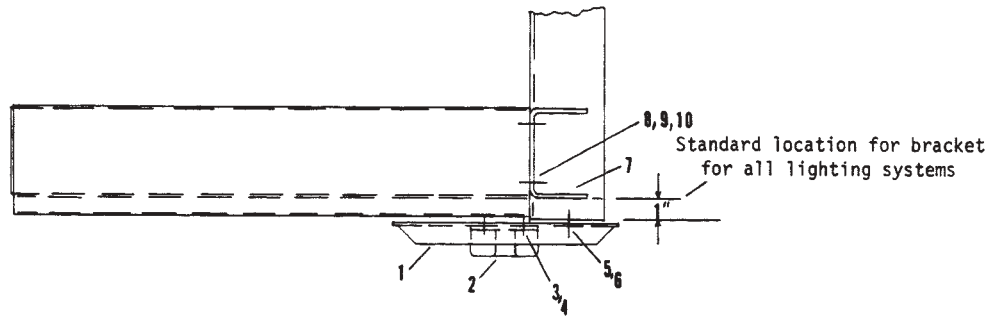
Light Installation, 6 Lamp Truck Lite



Connect Blue wire to each terminal block (Aux) in both light boxes.

REF.	PART NO.	QTY.	DESCRIPTION	REF.	PART NO.	QTY.	DESCRIPTION
1	2770058	1	Connector Asm-7-Way	24	6702108	2	50840 Compression Fitting-3/8" I.D.
2	2770075	2	Bracket-Light, Frt. Fender, Steel	25	6702111	2	50846 Compression Fitting-Oval
3	2770074	2	Bracket-Lite Box, Truck Lite	26	6702141	1	50830 Filler Plug
4	2770092	1	Box Asm-Light, RH, 3 Lamp, Stainless Steel	27	6702107	8	50845 Jam Nut
5	2770095	1	Box Asm-Light, LH, 3 Lamp, Stainless Steel	28	2770019	2	Bracket-Reflector
6	6702114	2	10208Y Yellow Marker Lamp-Truck Lite	29	6000685	4	Reflector-Red
7	2770078	1	Extension Brkt, Side Truck Lite	30	6000686	4	Reflector-Amber
8	6702123	2	50304 Harness-Marker, 168"	31	6000055	20	Clamp-5/16" Rubber
9	6702128	1	50345 Harness-Left Turn, 456", Wh/Yel Br	32	6000056	30	Clamp-3/8" Rubber
10	6700461	60"	Cable-7 Way, Berkshire #3438 1 Ft.	33	6000059	30	Clamp-5/8" Rubber
11	2770077	2	Bracket-Side Light, Truck Lite	34	6702124	1	50307 Harness-30"
12	6702115	2	60215Y Yel Side Turn, Mark, Refl. Lp.	35	6702120	2	10702 Grommet-2 1/2"C/M Closed
13	6702118	2	60700 Grommet-Truck Lite	36	Q450498	6	40700 Grommet-4.00
14	6702127	1	50344 Harness-Right Turn, 456", Wh/Gr/Br	37	6702125	2	94993 Harness (Turn & Cl) x 9 3/4" Lg.
15	6702117	1	00798 Bracket-Identification, Truck-Lite	38	6702126	4	94931 Harness (Stop & Tail) x 48" Lg.
16	6702113	5	10208R Red Marker-Truck Lite	39	2770064	1	Brkt-Side, Tr. Lt., Ho Trough Mtg.
17	6702119	2	10708 Grommet-Truck Lite	40	2770065	1	Brace-Brkt, Side Tr. Lt., Ho Trough Mtg.
18	6702116	1	15009 Lamp-Licence Light	41	6702054	2	Seal-Thd Entr, 0.250 NPT 1RPS
19	6702112	6	40242R Lamp-Stop, Turn & Tail Light	42	6702053	2	Ring-Grab, Duplex Cable 929177
20	6702106	2	50820 Terminal Block	43	2770079	1	Bracket-Lic & Lamp, Truck Lite
21	6702122	2	94906 Harness-Marker, 15"	44	2770063	1	Connector Asm-7 Way, Low Mount
22	6702121	1	50301 Harness-Identification, 288"	45	2770091	1	Box Asm-Light, RH, 3-Lamp, Steel
23	6702110	3	50842 Compression Fitting-3/4" I.D.	46	2770094	1	Box Asm-Light, LH, 3-Lamp, Steel

License Lamp & Bracket Installation Truck Lite



REF.	PART NO.	QTY.	DESCRIPTION	REF.	PART NO.	QTY.	DESCRIPTION
1	2770079	1	Bracket-Lic. & Lamp, Truck Lite				
2	6702116	1	Lamp-Licence Asm, Trk-Lt 15009				
3	0121900	2	Sc-Hex, Lock, 1/4NC x 1" Lg. GR 2, PD				
4	9413946	2	Nut-Hex, Lock, 1/4" NC, PD				
5	0122017	2	Screw-Hex, 5/16" NC x 1" Lg, GR 2, PD				
6	9411638	2	Nut-Hex, Lock, 5/16" NC, PD				
7	2770074	2	Bracket-Mtg, Light Box				
8	0180124	8	Sc-Hex, 3/8NC x 1 1/4" Lg. GR 5, PD				
9	0446363	8	Washer-Flat, 3/8" NC PD				
10	0274993	8	Nut-Hex, Lock, 3/8" NC. PD				

CAUTION



GENERAL INSTRUCTION - TIRE CARRIER

Loss of tire in transit can cause bodily injury or property damage. Carry only one spare tire at a time. Do not carry the tire loose in the carrier. Tightly wrap the chain around the tire to eliminate slack and always fasten the chain in the locking retainer plate.

Inspect carrier annually. Check for bent members and fatigue in welds. Closely examine chain, chain retainer and fastener for signs of wear, corrosion or fatigue. Replace or repair damaged or worn parts promptly.