

Falcon



**Live Bottom Trailers
and Truck Bodies**





Efficient Etnyre *Falcon* Live Bottom Trailers

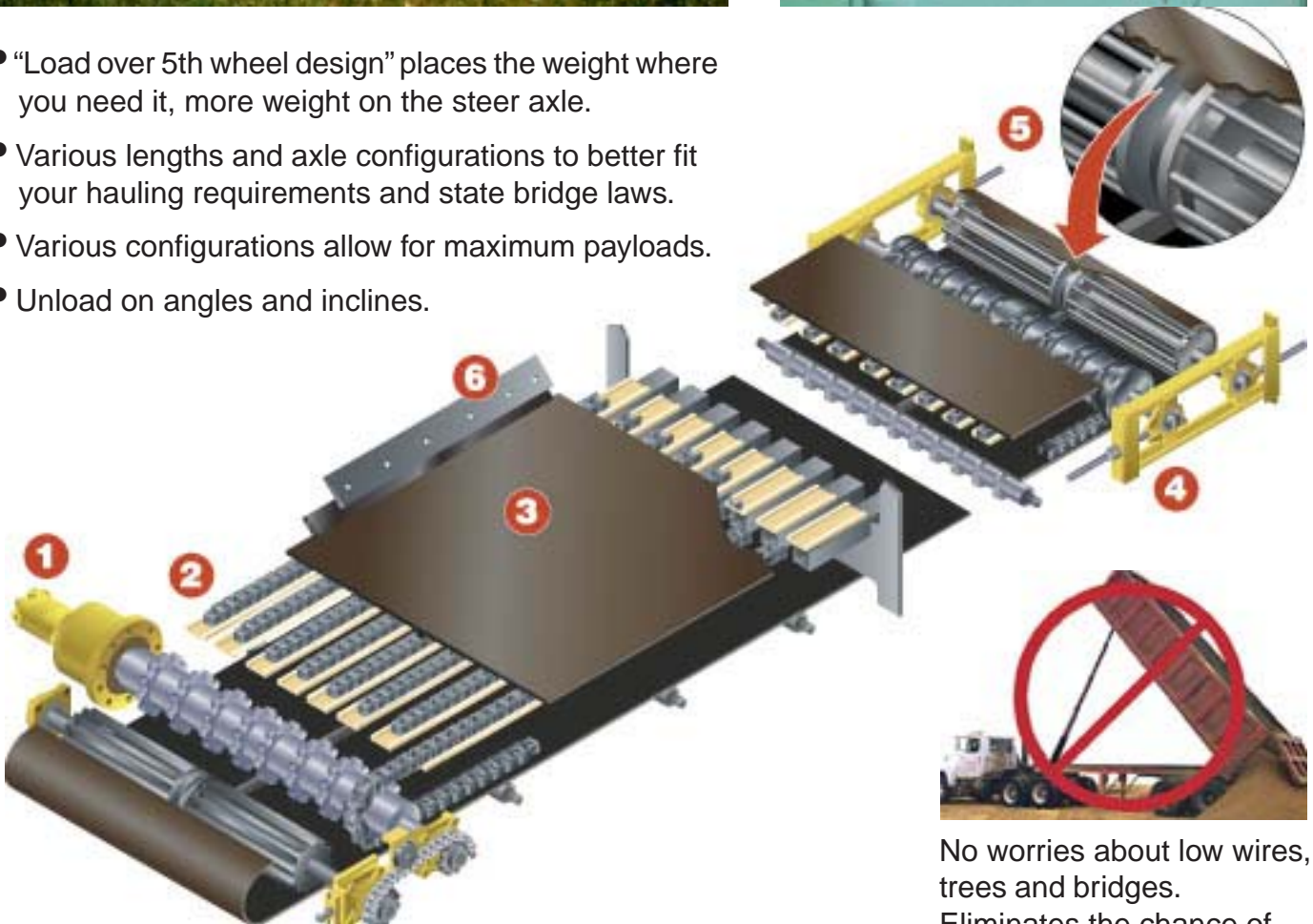
- **Hauling Versatility** Hot mix asphalt, sand, gravel, recycled materials, low slump concrete, aggregates small and large. - one trailer does it all.
- **Wide Conveyor** 42" wide belt. No slats to break, bend, or wear. Wider conveyor reduces material bridging. Unloads in 1/2 revolution of the belt.
- **Twin Product Doors** Eliminates segregation, allows load to discharge in a mass, allows operator to view position of the load.
- **Lighter Empty Weight** Lightest in the industry. Larger payloads every load.
- **Steeper Side Walls** Prevents sticky material from bridging.



Polymer Mixes • Superpave • Millings • Micro Surfacing • Chipseal • Sand • Gravel



- “Load over 5th wheel design” places the weight where you need it, more weight on the steer axle.
- Various lengths and axle configurations to better fit your hauling requirements and state bridge laws.
- Various configurations allow for maximum payloads.
- Unload on angles and inclines.



- 1.** Direct hydraulic drive with 30:1 gear reducer. 100,000 inch pounds of torque. More power to unload difficult materials faster.
- 2.** Chain guides made of ultra high molecular polyethylene. Eliminates the need for lubrication. Better support with 8 chain system directly supported by conveyor frame.
- 3.** Composite belt, chemical and heat resistant.
- 4.** Separate tension adjustments for the belt and the chains.
- 5.** Positive, full length belt centering.
- 6.** Bolt in flashing covers.

No worries about low wires, trees and bridges. Eliminates the chance of tipping-over.



Save time unloading under obstacles.

• Hot Mix Asphalt • Recycled Materials • Low Slump Concrete • Aggregates



**Haul larger payloads and unload faster
with the industry's leading design.**



E. D. ETNYRE & CO.

1333 South Daysville Road, Oregon, Illinois 61061-9778

Phone: 1-800-995-2116 or 1-815-732-2116

Fax: 1-815-732-7400, Email: sales@etnyre.com

Web Site: www.etnyre.com

E. D. Etnyre & Co., whose policy is one of continuous improvement, reserves the right to change specifications without notice.

Photos and illustrations contain standard and optional equipment.

L-751-05

Supersedes L-751-99