

## MP-RTN-1-02

Gooseneck Air Lock, 3" Vertical Lock Pin

### TRAILER PARTS MANUAL SUPPLEMENT

#### HOW TO ORDER PARTS

To assure prompt delivery when ordering parts, please furnish the following information: **1)** Complete name and address of consignee. **2)** Method of shipment preferred. **3)** Is shipment to be prepaid or collect? **4)** Serial numbers of units to which parts apply. **5)** Complete part numbers and descriptions. **6)** Any special instructions.

***Specify unit serial number when ordering parts!***

#### WARRANTY

E. D. Etnyre & Co. warrants to the original Purchaser, it's new product to be free from defects in material and workmanship for a period of one (1) year after date of delivery to original Purchaser. The obligation of the Company is limited to repairing or replacing any defective part returned to the Company and will not be responsible for consequential damages or any further loss by reason of such defect.

**The company excludes all implied warranties of merchantability and fitness for a particular purpose. There are no warranties, express or implied, which extend beyond the description of the goods contained in this contract.**

This warranty does not obligate the Company to bear the cost of machine transportation in connection with the replacement or repair of defective parts, nor does it guarantee repair or replacement of any parts on which unauthorized repairs or alterations have been made or for components not manufactured by the Company except to the extent of the warranty given by the original Manufacturer.

This warranty does not apply to:

- (1) Normal start-up services, normal maintenance services or adjustments usually performed by the selling dealer, factory service representative or customer personnel.
- (2) Any product manufactured by E. D. Etnyre & Co. purchased or subjected to rental use.
- (3) Any product or part thereof which shows improper operation, improper maintenance, abuse, neglect, damage or modification after shipment from factory.
- (4) Any product or part thereof damaged or lost in shipment. Inspection for damage should be made before acceptance or signing any delivery documents releasing responsibility of the delivering carrier.

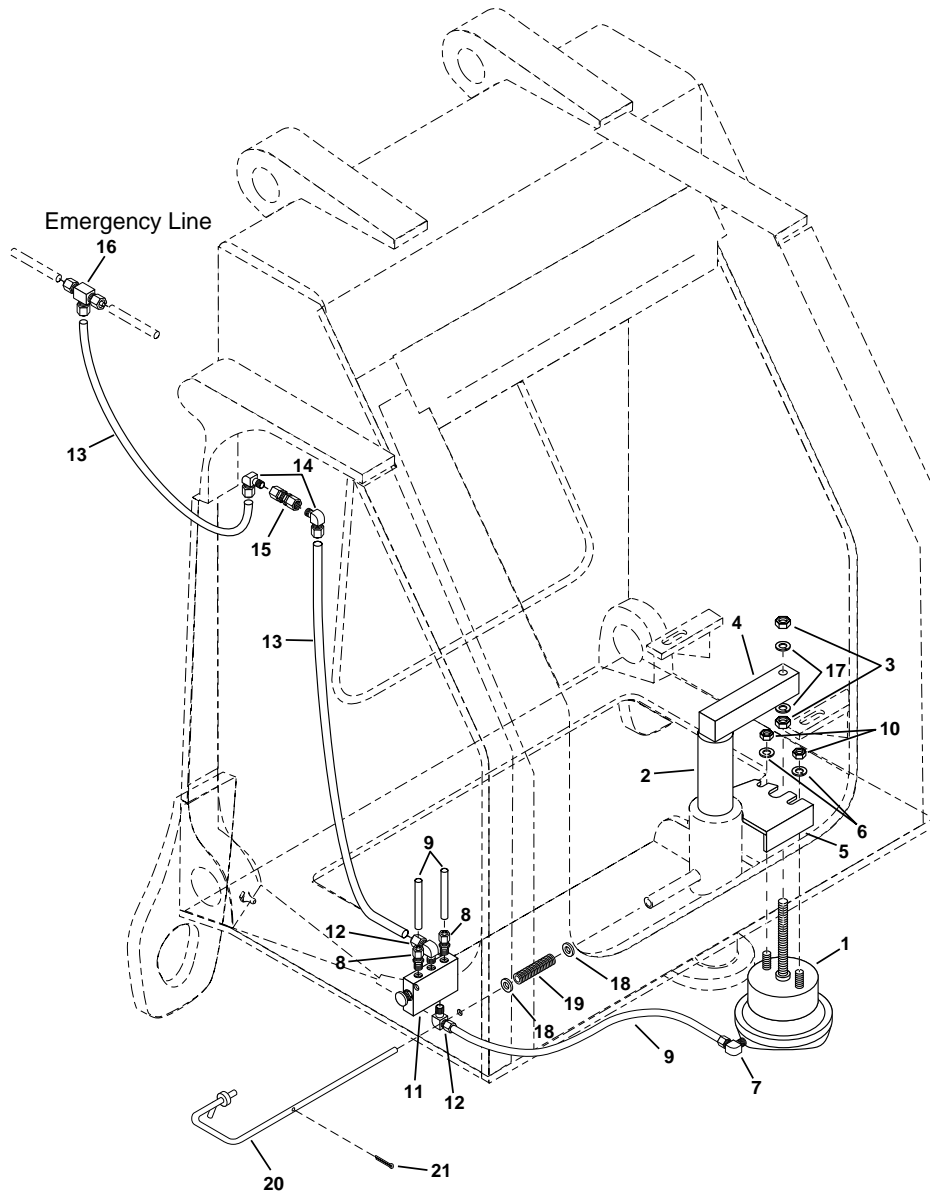
This warranty and foregoing obligations are in lieu of all other obligations and liabilities including negligence and all warranties of merchantability or otherwise, express or implied in fact or by law.



E. D. ETNYRE & CO., Oregon, Illinois 61061-9778

1333 South Daysville Road Phone: 800-995-2116 Fax: 800-521-1107 www.etnyre.com

## Gooseneck Air Lock 3" Vertical Lock Pin



REF	PART NO.	QTY	DESCRIPTION	REF	PART NO.	QTY	DESCRIPTION
1	6600844	1	Chamber-Brake, 5th Wheel Lift	13	6602543	3	Tube-Nylon, Air, Red, 0.38, Generic
2	Q517856	1	Tube-Locking Mechanism 55 Ton	14	6600832	2	Elbow-Arbk, 90, 04MP-06MT
3	0120371	2	Nut-Hex, 0.50NF, PD	15	Q449698	1	Coupling-Tube, 06MT-06MT
4	Q517860	1	Bar-Air Lock	16	6600940	1	Tee-Arbk, 08MT-08MT-08MT
5	Q517887	1	Plate-Air Lock	17	0120384	2	Washer-Lock, Spring, 1/2
6	0120383	2	Washer-Lock, Spring, 7/16	18	0130999	2	Washer-Flat, 5/8
7	6600945	1	Elbow-Arbk, 90, 06MP-06MT	19	6100499	1	Spring-Compression, 31/32OD x 4
8	Q446478	2	Adapter-Arbk, ST, 02MP-04MT	20	Q517920	1	Rod-Indicator, Safety Pin
9	Q444884	1	Tube-Nylon, Air, 0.25, Generic	21	01033884	1	Cotter Pin-3/16 x 2
10	0271501	2	Nut-Hex, 7/16NC				
11	6602964	1	Valve-Air Sol, 4Way				
12	6600833	2	Elbow-Arbk, 90, 02MP-06MT				